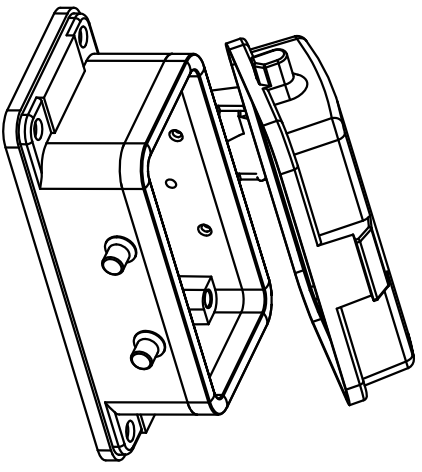
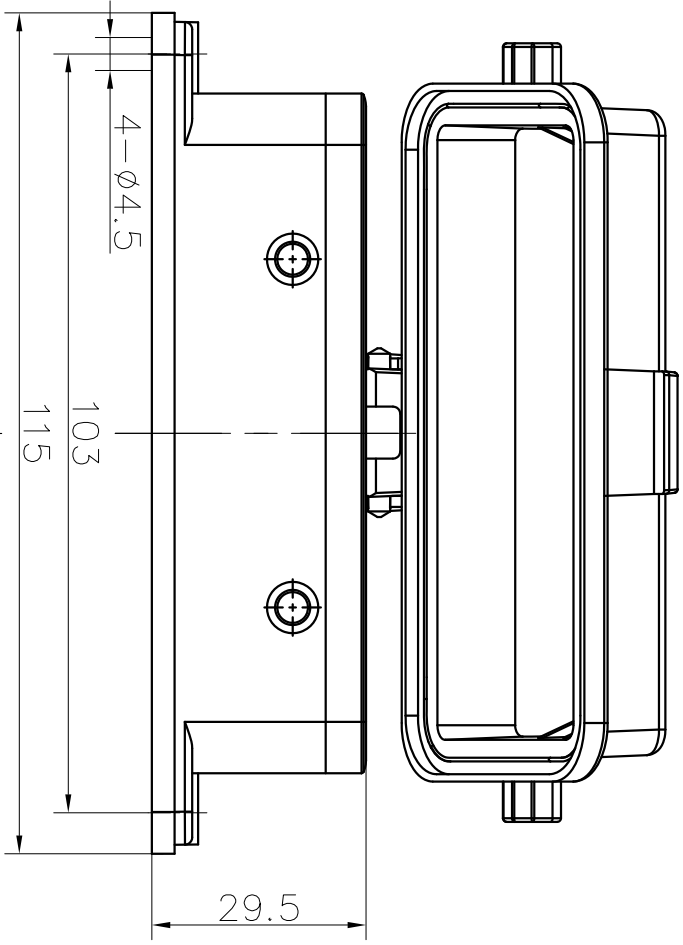
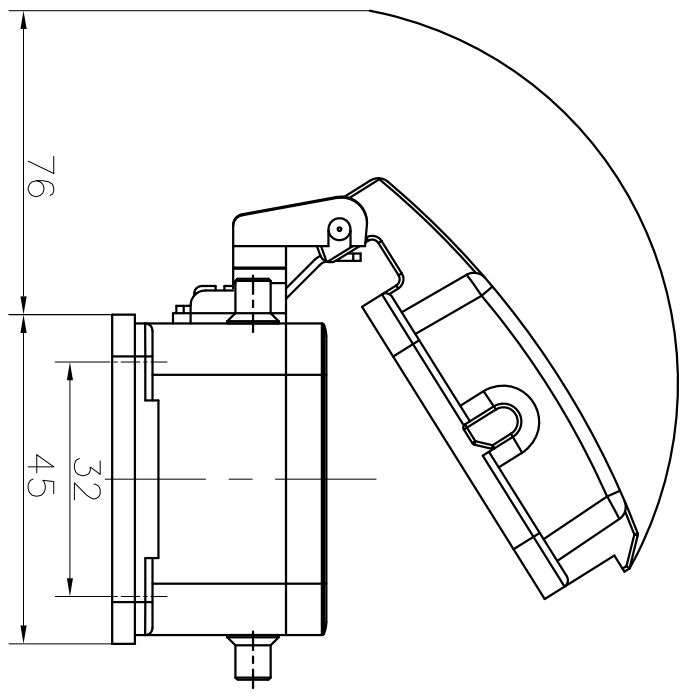
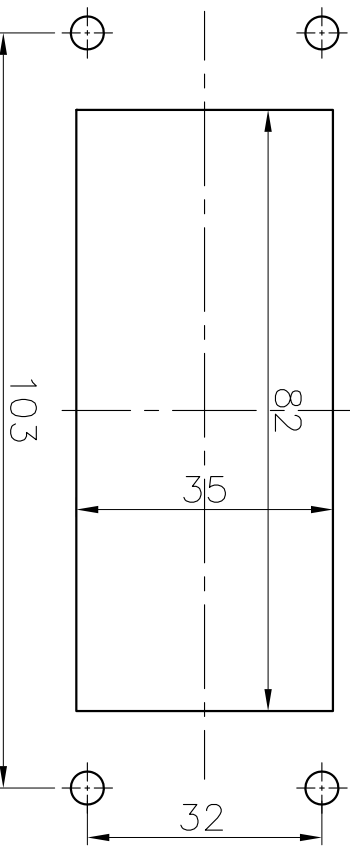


REVISION RECORD				
REV	ECN	DESCRIPTION	DRFT	DATE



- Housings Feature
- 01. Material: aluminium die-cast
 - 02. Surface: Powder-coated
 - 03. Color: grey (RAL 7037)
 - 04. Sealing: NBR
 - 05. Covers: Plastic
 - 06. Limiting temperatures: -40°C ~ +125°C
 - 07. Flammability acc to UL94: V0
 - 08. Degree of protection acc. to EN60529 for coupled connector: IP65
 - 09. Rohs compliance

Panel cut out



DETACHED LISTS			
PART NO.:	/	NAME:	DEGSON 宁波高松电子有限公司 NINGBO DEGSON ELECTRICAL CO., LTD
APPR:		CHKD:	
DRFT:	Mr. yong 2017/06/28	TITLE:	CUSTOMER DRAWING
DRAWING NO.:		REV	DO-1
THIRD ANGLE PROJECTION		SHEET	1/1
		SCALE	1:1

8 7 6 5 4 3 2 1