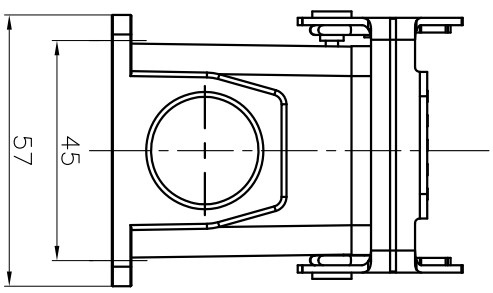
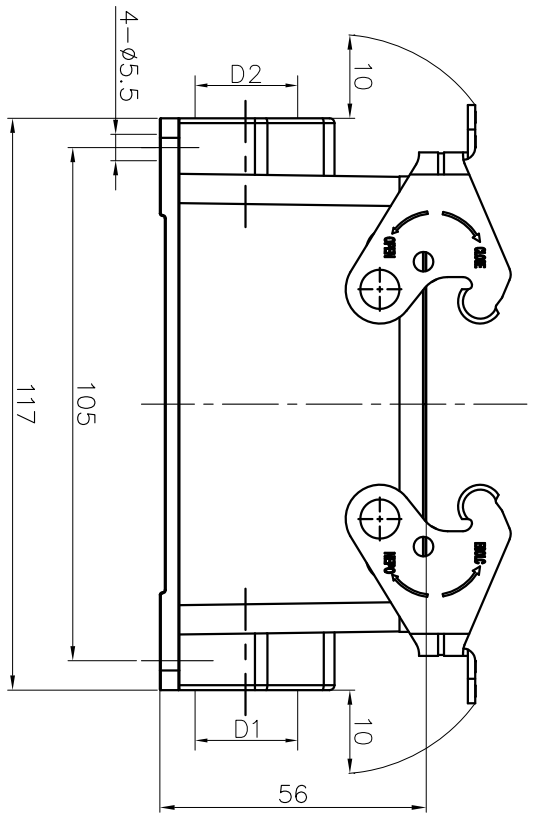
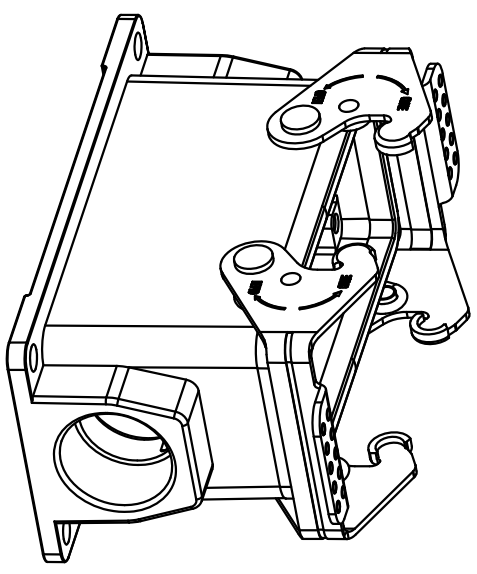



TYPE	Thread		Selection
	D1	D2	
D16B-SF-2L-M25	M25	—	
D16B-SF-2L-2M25	M25	M25	
D16B-SF-2L-PG21	PG21	—	
D16B-SF-2L-2PG21	PG21	PG21	

REVISION RECORD				
REV	ECN	DESCRIPTION	DRFT	DATE



Housings Feature

- 01.Material: aluminum die-cast
- 02.Surface: Powder-coated
- 03.Color:grey(RAL 7037)
- 04.Material: Metal(Lever)
- 05.Sealing: NBR
- 06.Limiting temperatures: -40°C ~ +125°C
- 07.Flammability acc to UL94:V0
- 08.Degree of protection acc.to EN60529 for coupled connector :IP65
- 09.Rohs compliance

DETACHED LISTS	
PART NO.:	/
APPD:	
CHKD:	
DRFT: Mr.yding 2017/06/28	TITLE: CUSTOMER DRAWING
 DEGSON 宁波高松电子有限公司 NINGBO DEGSON ELECTRICAL CO.,LTD	
NAME:	D16B-SF-2L-M/PG
DRAWING NO.:	
THIRD ANGLE PROJECTION	DO NOT SCALE DRAWING
REV	DO-1
SHEET	1/1
SCALE	1:1.5