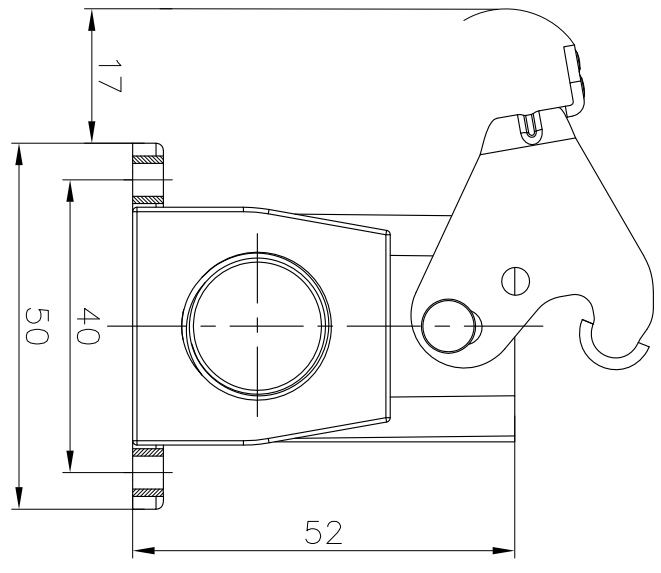
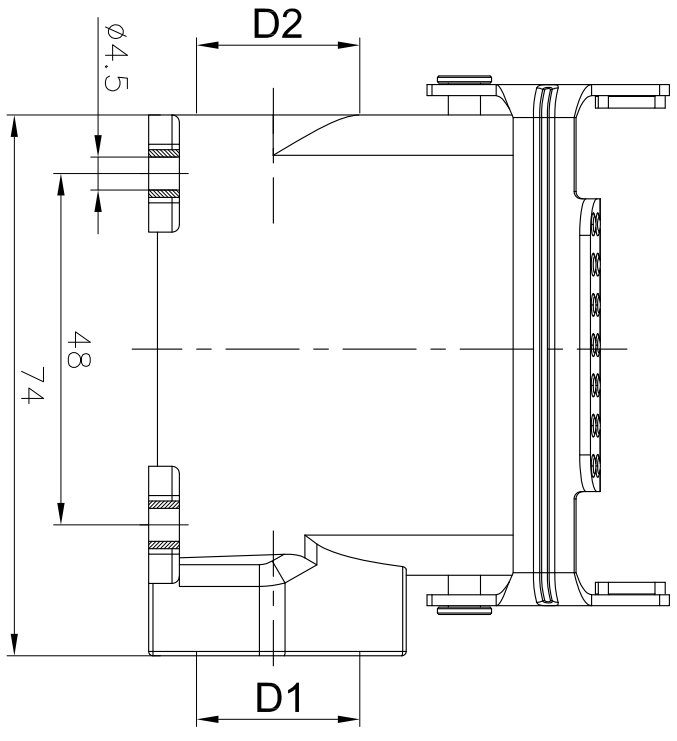
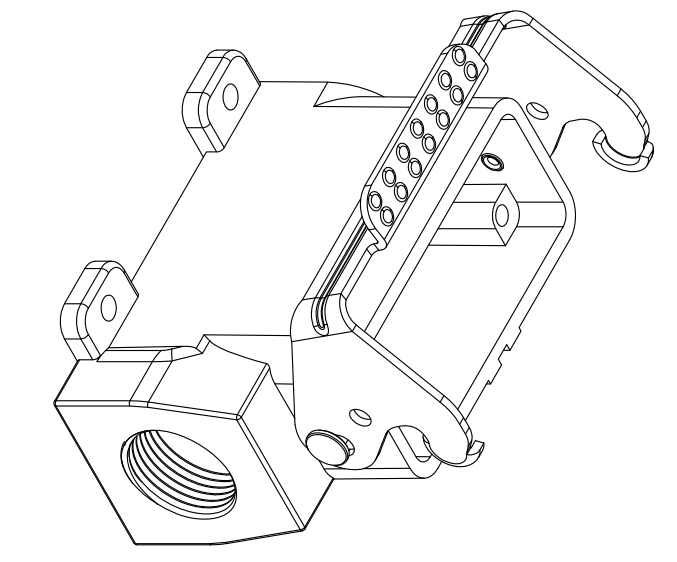


REVISION RECORD				
REV	ECN	DESCRIPTION	DRFT	DATE

TYPE	Thread		Selection
	D1	D2	
D10A-SF-1L-M20	M20	—	
D10A-SF-1L-2M20	M20	M20	
D10A-SF-1L-M25	M25	—	
D10A-SF-1L-PG16	PG16	—	
D10A-SF-1L-2PG16	PG16	PG16	
D10A-SF-1L-PG21	PG21	—	



Housings Feature

- 01. Material: Aluminum die-cast
- 02. Surface: Powder-coated
- 03. Color: grey (RAL 7037)
- 04. Material: Metal zinc-plated (Lever)
- 05. Limiting temperatures: -40°C ~ +125°C
- 06. Flammability acc to UL94: V0
- 07. Degree of protection acc. to EN60529 for coupled connector: IP65
- 08. Rohs Compliance

DETACHED LISTS			
PART NO.:	<b>DEGSON</b>	NAME:	D10A-SF-1L-M/PG
APPR:		TITLE:	CUSTOMER DRAWING
CHKD:		DRAWING NO.:	
DRFT: Mr. yong2016.08.15		REV	DO-1
		SHEET	1/1
		SCALE	1:1
		THIRD ANGLE PROJECTION	
		DO NOT SCALE DRAWING	

NINGBO DEGSON ELECTRICAL CO., LTD  
宁波高松电子有限公司

A 8 7 6 5 4 3 2 1