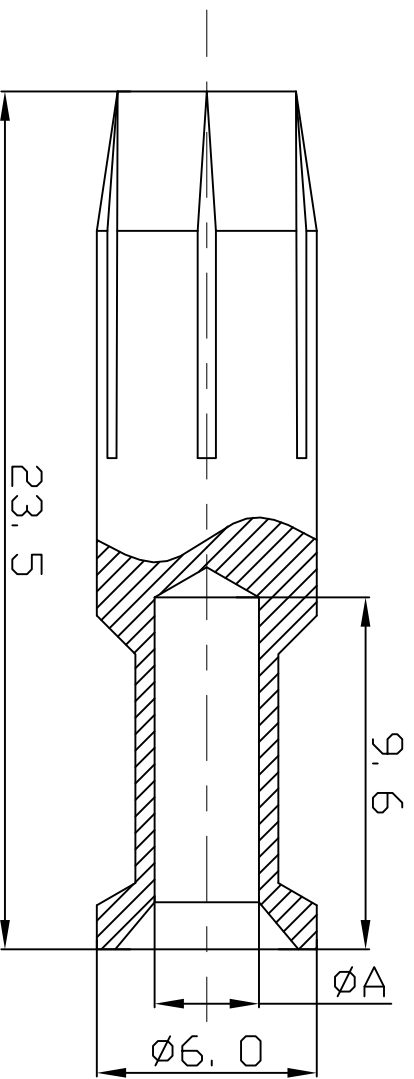


Contacts, Gold-plated

H Type of products	(∅A)	Wire gauge		Recommended stripping length
		(mm ²)	(AWG)	
40A-GF-1.5	1.75	1.5	16	9.0mm
◆ 40A-GF-2.5	2.25	2.5	14	9.0mm
40A-GF-4.0	2.85	4.0	12	9.6mm
40A-GF-6.0	3.5	6.0	10	9.6mm
40A-GF-10	4.3	10.0	8	12mm

REVISION RECORD				
REV	ECN	DESCRIPTION	DRFT	DATE



Crimp contacts

- 01. Material :Copper alloy
- 02. Surface :Gold-plated
- 03. Contact resistance : ≤0.3mΩ
- 04. Terminal :Crimp connection
- 05. Wire gauge : 1.5-6mm² (AWG 16-10)
- 06. Rohs Compliance

DETACHED LISTS			
PART NO.:	/	NAME:	DEGSON ® NINGBO DEGSON ELECTRICAL CO., LTD 宁波高松电子有限公司
APPD:		TITLE:	40A-Female Contacts(Gold-plated)
CHKD:		DRAWING NO.:	/
DRFT:	Mr. Yang 2016.08.08	DO NOT SCALE DRAWING	SCALE
THIRD ANGLE PROJECTION		1/1	5:1

A 8 7 6 5 4 3 2 1