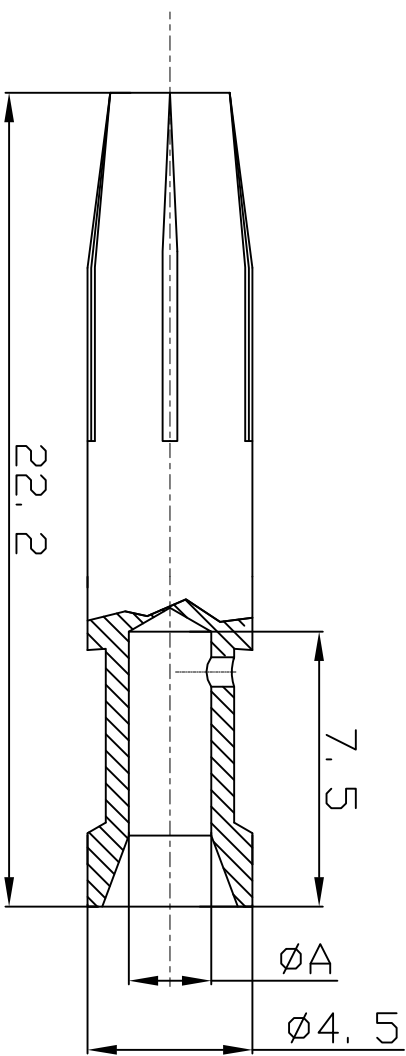


| REVISION RECORD | | | | |
|-----------------|-----|-------------|------|------|
| REV | ECN | DESCRIPTION | DRFT | DATE |
| | | | | |

| H | Contacts, Gold-plated | (∅A) | Wire gauge | | Recommended stripping length |
|---|-----------------------|------|--------------------|-------|------------------------------|
| | | | (mm ²) | (AWG) | |
| | Type of products | | | | |
| | 16A-GF-0.37 | 0.9 | 0.14-0.37 | 26-22 | 7.5mm |
| | 16A-GF-0.5 | 1.1 | 0.50 | 20 | 7.5mm |
| | 16A-GF-0.75 | 1.3 | 0.75 | 18 | 7.5mm |
| | 16A-GF-1.0 | 1.45 | 1.00 | 18 | 7.5mm |
| | 16A-GF-1.5 | 1.75 | 1.50 | 16 | 7.5mm |
| | ◆ 16A-GF-2.5 | 2.25 | 2.50 | 14 | 7.5mm |
| | 16A-GF-4.0 | 2.85 | 4.00 | 12 | 7.5mm |



Crimp contacts

- 01. Material :Copper alloy
- 02. Surface :Gold-plated
- 03. Contact resistance : ≤1mΩ
- 04. Terminal :Crimp connection
- 05. Wire gauge :0.37-4.0mm² (AWG 22-12)
- 06. Rohs Compliance

| DETACHED LISTS | | | |
|------------------------|---------------------|----------------------|---|
| PART NO.: | / | NAME: | DEGSON ® NINGBO DEGSON ELECTRICAL CO., LTD 宁波高松电子有限公司 |
| APPD.: | | TITLE: | 16A-Female Contacts(Gold-plated) |
| CHKD.: | | DRAWING NO.: | / |
| DRFT.: | Mr. Yang 2016.06.06 | DO NOT SCALE DRAWING | SCALE |
| THIRD ANGLE PROJECTION | | SCALE | 5:1 |

A 8 7 6 5 4 3 2 1