

REVISION RECORD				
REV	ECN	DESCRIPTION	DRFT	DATE

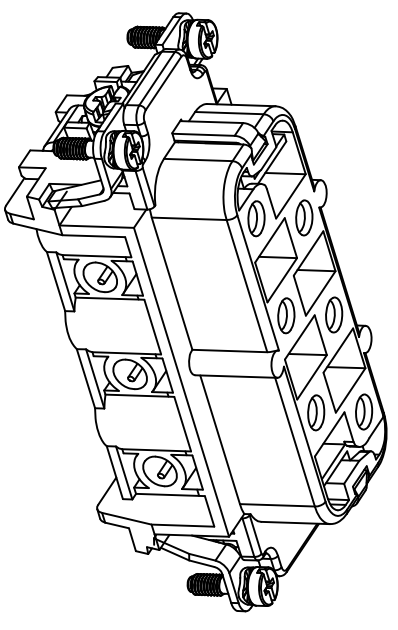
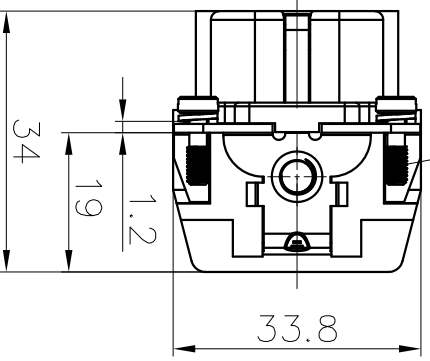
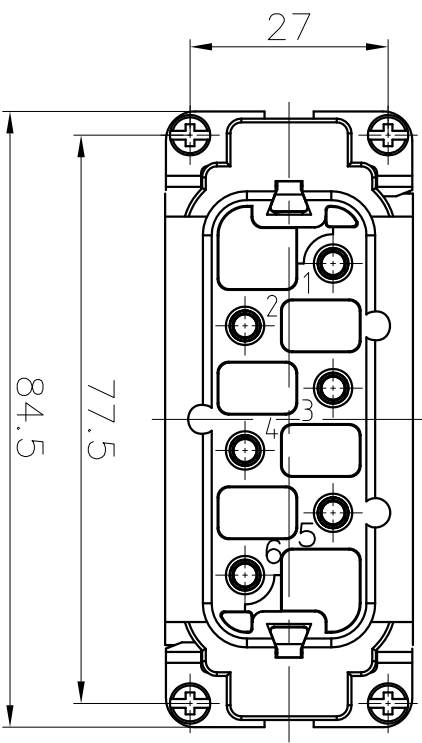
Technical characteristics:
 Specifications
 DIN EN 60 664-1
 DIN EN 61 984

Inserts

01. Number of contacts : 6+PE
02. Rated Current : 35A
03. Rated Voltage — ground: 400V
04. Rated Voltage — conductor: 690V
05. Pollution degree : 3
06. Rated impulse voltage : 6kV
07. or: 35A 500V 6kV 3
08. Insulation resistance : $\geq 10^{10} \Omega$
09. Material: Polycarbonate
10. Rated voltage acc. to UL/CSA: 600V
11. Limiting temperatures : -40°C ~ +125°C
12. Flammability acc. to UL94: V0
13. Mechanical working life (mating cycles) : ≥ 500

Contacts

01. Material: Copper alloy
02. Surface: hard-silver plated
03. Contact resistance : $\leq 1m\Omega$
04. Terminal : Screw terminal
05. Wire gauge : 1.5-6.0mm² (AWG 16-10)
06. Tightening torque : 1.2Nm
07. Stripping length : 11mm
08. Rohs Compliance



DETACHED LISTS			
PART NO.:	/	NINGBO DEGSON ELECTRICAL CO., LTD	
APPD:		宁波高松电子有限公司	
CHKD:		DSB-006-F	
DRFT:	Mr. Yang 2016.09.18	TITLE: CUSTOMER DRAWING	REV DO-1
		DRAWING NO.: DSB-006-F-E01	SHEET 1/1
		THIRD ANGLE PROJECTION	SCALE 1:1