

REVISION RECORD

REV	ECN	DESCRIPTION	DRFT	DATE

Technical characteristics:

Specifications
 DIN EN 60 664-1
 DIN EN 61 984

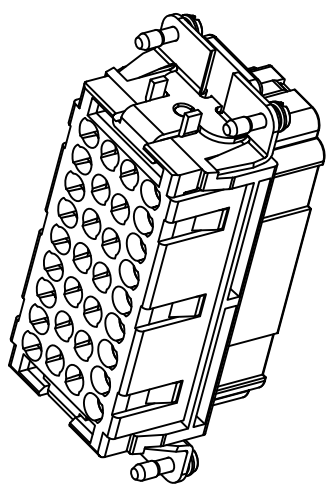
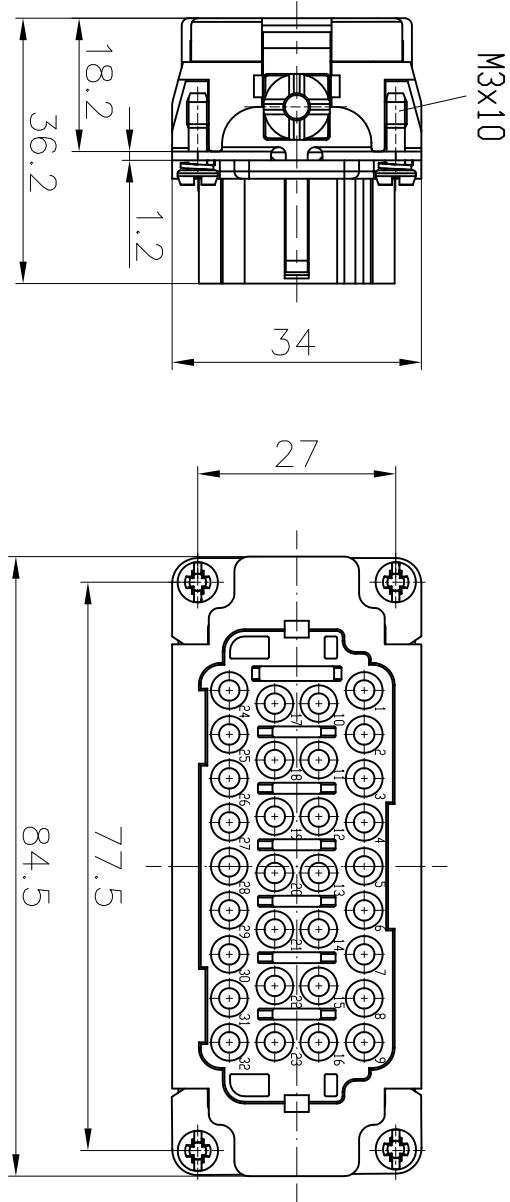
Inserts

- 01. Number of contacts :32+PE
- 02. Rated Current :16A
- 03. Rated Voltage :500V
- 04. Pollution degree :3
- 05. Rated impulse voltage :6kv¹⁰
- 06. Insulation resistance :≥10¹⁰Ω
- 07. Material:Polycarbonate
- 08. Rated voltage acc. to UL/CSA:600V
- 09. Limiting temperatures : -40℃~+125℃
- 10. Flammability acc. to UL94:V0
- 11. Mechanical working life (mating cycles) :≥500

Contacts

- 01. Material:Copper alloy
- 02. Surface:hard-silver plated
- 03. Contact resistance :≤1mΩ
- 04. Terminal :Crimping terminal
- 05. Wire gauge :0.14-4.0mm² (AWG 26-12)
- 06. Stripping length :7.5mm
- 07. Rohs Compliance

Note:Crimp contact pins should order separately



DETACHED LISTS	
PART NO.:	/
APPD:	
CHKD:	
DRFT:	Mr. Yang 2016.09.25
THIRD ANGLE PROJECTION	
NAME:	DEGSON 宁波高松电子有限公司 NINGBO DEGSON ELECTRICAL CO.,LTD
TITLE:	CUSTOMER DRAWING
DRAWING NO.:	DEE-032-FC-E01
SCALE	DO NOT SCALE DRAWING
REV	DO-1
SHEET	1/1
SCALE	1:1

A 8 7 6 5 4 3 2 1

REVISION RECORD				
REV	ECN	DESCRIPTION	DRFT	DATE

Technical characteristics:

Specifications

- DIN EN 60 664-1
- DIN EN 61 984

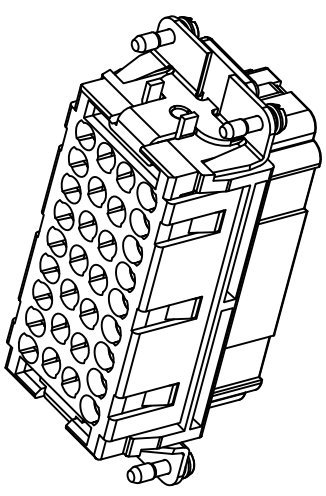
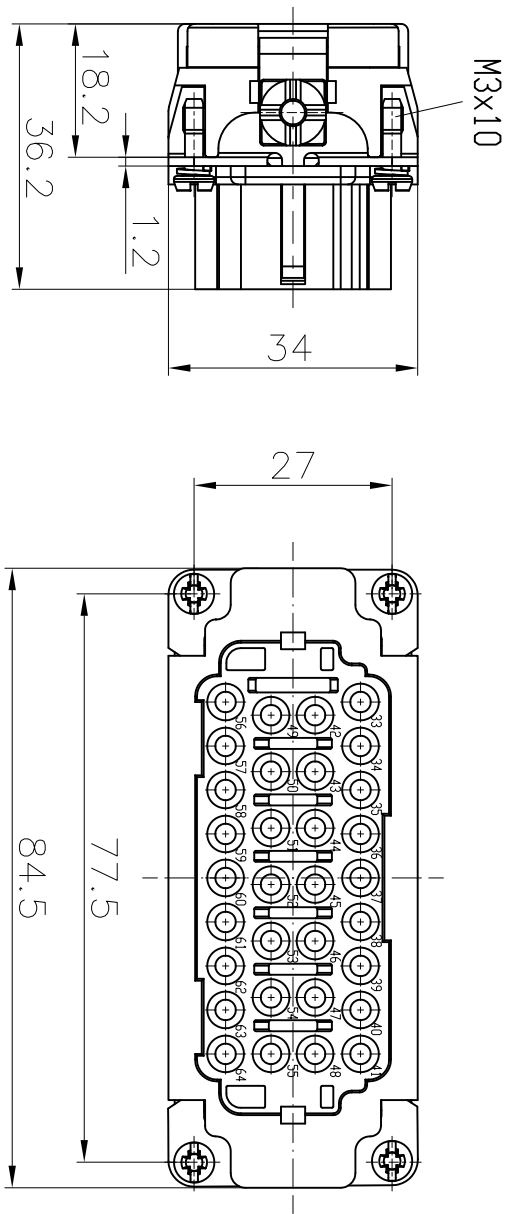
Inserts

- 01. Number of contacts :32(33-64)+PE
- 02. Rated Current :16A
- 03. Rated Voltage :500V
- 04. Pollution degree :3
- 05. Rated impulse voltage :6kv¹⁰
- 06. Insulation resistance :≥10¹⁰Ω
- 07. Material:Polycarbonate
- 08. Rated voltage acc. to UL/CSA:600V
- 09. Limiting temperatures : -40℃~+125℃
- 10. Flammability acc. to UL94:V0
- 11. Mechanical working life (mating cycles) : ≥500

Contacts

- 01. Material:Copper alloy
- 02. Surface:hard-silver plated
- 03. Contact resistance : ≤1mΩ
- 04. Terminal :Crimp terminal
- 05. Wire gauge :0.14-4.0mm² (AWG 26-12)
- 06. Stripping length :7.5mm
- 07. Rohs Compliance

Note:Crimp contact pins should order separately



DETACHED LISTS			
PART NO.:	/	NAME:	DEGSON® NINGBO DEGSON ELECTRICAL CO.,LTD 宁波高松电子有限公司
APPD:		TITLE:	CUSTOMER DRAWING
CHKD:		DRAWING NO.:	DEE-032-FC-E02
DRFT:	Mr. Yang 2016.09.25	REV	DO-1
THIRD ANGLE PROJECTION		SHEET	1/1
		DO NOT SCALE DRAWING	SCALE
			1:1

A 8 7 6 5 4 3 2 1