

REVISION RECORD				
REV	ECN	DESCRIPTION	DRFT	DATE

Technical characteristics:

Specifications

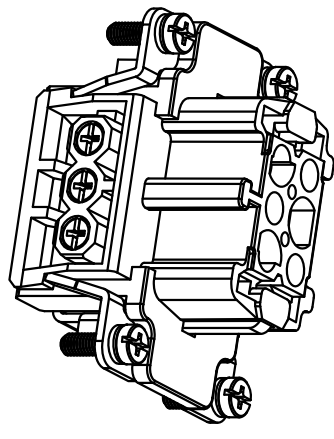
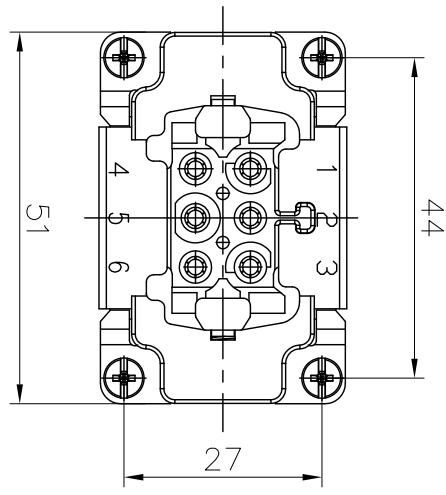
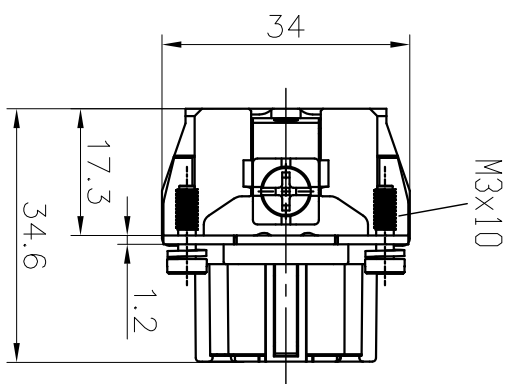
- DIN EN 60 664-1
- DIN EN 61 984

Inserts

01. Number of contacts :6+PE
02. Rated Current :16A
03. Rated Voltage :500V
04. Pollution degree :3
05. Rated impulse voltage :6kv<sup>10</sup>
06. Insulation resistance :≥10Ω
07. Material:Polycarbonate
08. Rated voltage acc. to UL/CSA:600V
09. Limiting temperatures : -40°C~+125°C
10. Flammability acc. to UL94:V0
11. Mechanical working life (mating cycles) : ≥500

Contacts

01. Material:Copper alloy
02. Surface:hard-silver plated
03. Contact resistance : ≤1mΩ
04. Terminal :Screw terminal
05. Wire gauge :1.0-2.5mm<sup>2</sup> (AWG: 18-14)
06. Tightening torque :0.5Nm
07. Stripping length :7.5mm
08. Rohs Compliance



DETACHED LISTS			
PART NO.:	/	NINGBO DEGSON ELECTRICAL CO., LTD	
APPD:		NAME: DE-006-F	
CHKD:		NINGBO DEGSON ELECTRICAL CO., LTD	
DRFT:	Mr. Yang 2016.08.08	TITLE: CUSTOMER DRAWING	REV DO
THIRD ANGLE PROJECTION		DRAWING NO.:	SHEET
		/	1/1
		DO NOT SCALE DRAWING	SCALE
		1:1	1:1