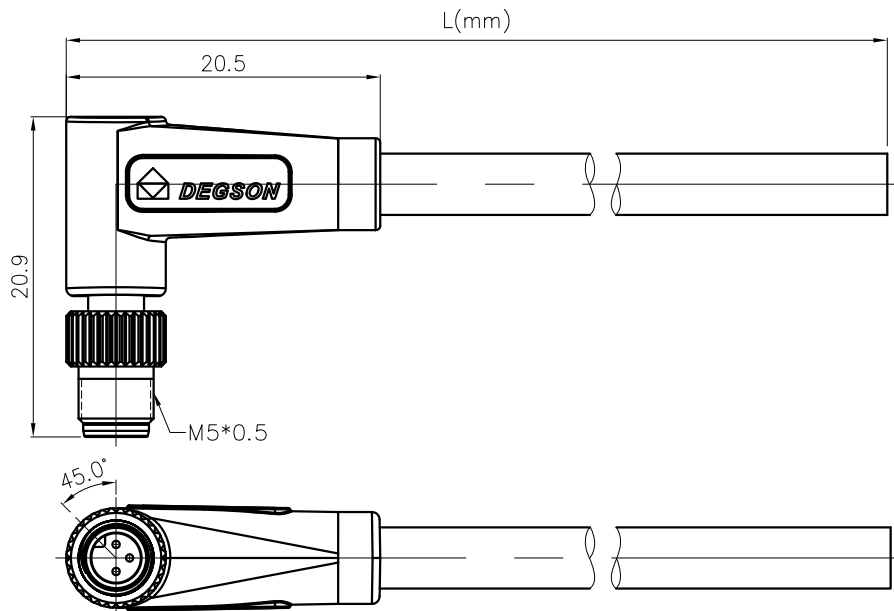


REVISION RECORD

REV	ECN	DESCRIPTION	DRFT	DATE
-----	-----	-------------	------	------



PM-M5A-XXP-MM-SR7XXX-00A(H)

Pin number: 03,04

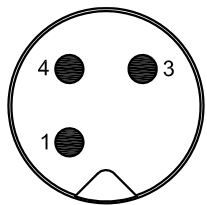
Cable jacket:  
A: PVC UL2517  
B: PUR UL20549

Cable length  
01: 1M  
...  
99: 99M

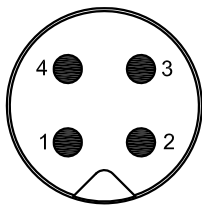
The line grows business trip:  
01~05m: ± 50mm  
06~10m: ± 100mm  
11~30m: ± 200mm  
31~99m: ± 500mm

NOTES:

1. Rated voltage/current : 60V / 1A
2. Withstanding voltage : 800V
3. Levels of protection: IP67
4. Cable specifications :  
3pin A: 3C\*26AWG/0.14mm<sup>2</sup>, UL2517/UL20549  
4pin A: 4C\*26AWG/0.14mm<sup>2</sup>, UL2517/UL20549
5. Wire connection mode: soldering
6. Operating temperature: -25°C~+80°C
7. RoHS Compliance
8. Tolerance : ±0.5mm


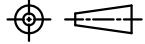


Pin Assignment Front View



Pin Assignment Front View

		4	Black
4	Black	3	Blue
3	Blue	2	White
1	Brown	1	Brown
Conn	Wire Color	Conn	Wire Color
Pin Out		Pin Out	

DETACHED LISTS	PART NO.: PMM5AXXPMMSR7XXX00AH		 宁波高松电子有限公司 NINGBO DEGSON ELECTRICAL CO., LTD	
	APPD:		NAME: PM-M5A-XXP-MM-SR7XXX-00A(H)	
	CHKD:		TITLE: CUSTOMER DRAWING	
	DRFT: SQ 2019.05.11		REV	D0-1
	 THIRD ANGLE PROJECTION		DRAWING NO.: XXXXXXXX-XX-CXX	SHEET 1/1
		MM (INCH)	DO NOT SCALE DRAWING	SCALE 1:1