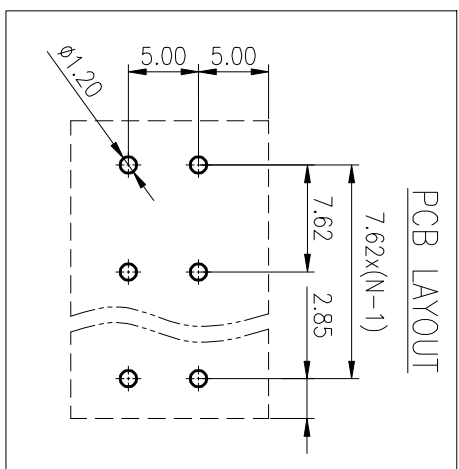
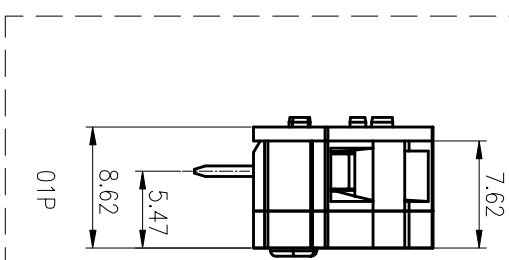
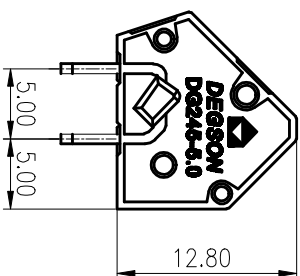
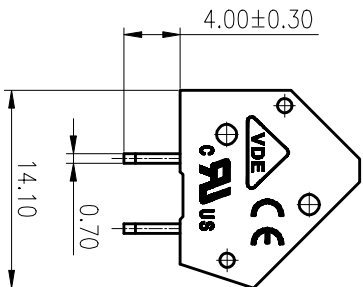
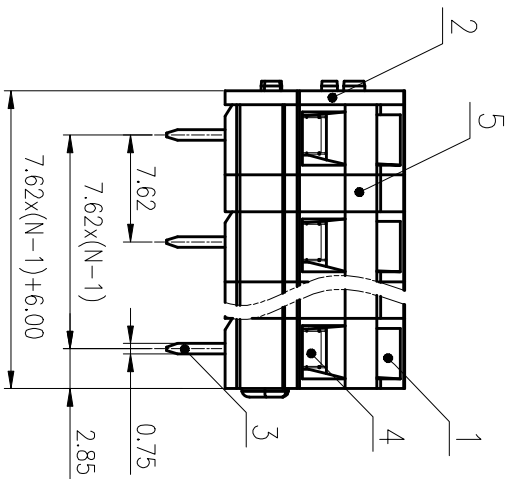
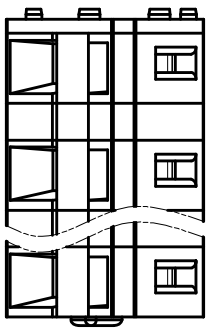


公差等级/General Tolerances(mm)		0.1/1/10	
0	>3	>10	>315
3	~6	~180	~400
6	10	30	500
10	±0.12	±0.18	±0.22
18	±0.26	±0.31	±0.37
30	±0.57	±0.80	±0.93
50	±1.05	±1.51	±1.60
80	±2.20	±2.50	±2.50
120	±3.15	±4.00	±4.00
180	±4.00	±5.00	±5.00
250	±5.00	±6.30	±6.30
315	±6.30	±8.00	±8.00
400	±8.00	±10.00	±10.00
500	±10.00	±12.50	±12.50
630	±12.50	±16.00	±16.00
800	±16.00	±20.00	±20.00
1000	±20.00	±25.00	±25.00



ITEM	NAME OF PART	MATERIAL	NOTES
5	Clapboard	PA66	UL94V-0
4	Spring	Stainless steel	/
3	Pin header	Copper alloy	Sn Plated
2	Cover	PA66	UL94V-0
1	Housing	PA66	UL94V-0

UL 标准 /UL Standard: B C D
 额定电压/电涌/Rated Voltage(V)/Current(A) 300/15 / 300/10
 IEC 标准 /IEC Standard: B C D
 过压类别/Overvoltage Category/污染等级 III/3 III/2 II/2
 额定电压/电涌/Rated Voltage(V)/Current(A) 750/17 /
 工频电压/Withstanding Voltage(V/1Min) AC3000
 线径范围(硬线和软线)/Wire Range(rigid and flexible)(mm²/AWG) 0.2~2.5/28~12
 间距/Pitch(mm)/线数范围/Poles 7.62/N=01~16P
 剥线长度/Stripping length(mm) 5~6
 使用温度范围/Operating temperature(°C) -40~+105
 符合RoHS环保要求/Conform to RoHS Yes

MATERIAL: /
 SURFACE: /

MAT NO.: /
 STATUS: /
 APPD: Li GL 2020.06.10
 CHKD: MGEK 2020.06.10
 DRT: YYC 2018.01.09

NAME: **DEGSON® NINGBO DEGSON ELECTRICAL CO., LTD**
DG245-7.62-XXP-1Y-00A(H)

DRAWING NO.: DG245-7.62-C01
 TYPE: CUSTOMER DRAWING
 SCALE: 2:1
 SHEET 1/1

REV	ECN	DESCRIPTION	DRT	DATE

