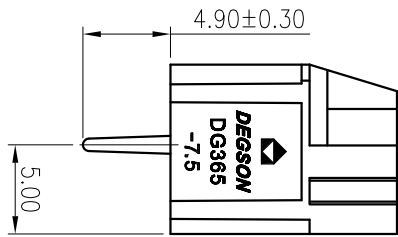
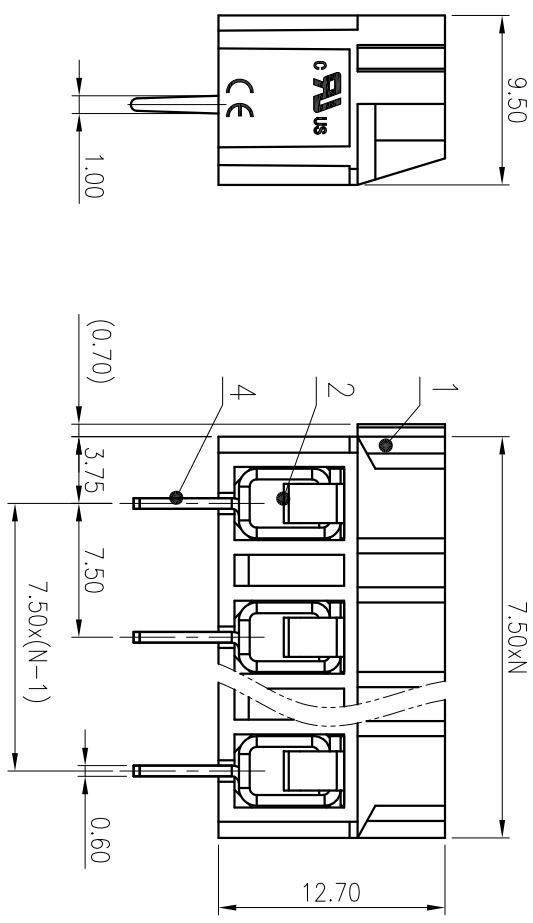
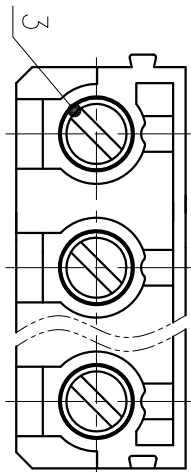
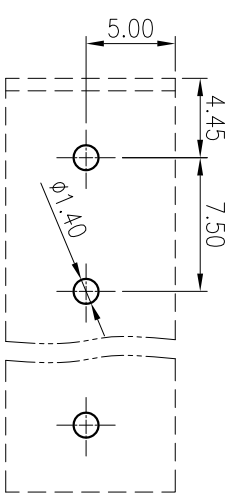


公差表 (General Tolerances)(mm)		公差表 (General Tolerances)(mm)	公差表 (General Tolerances)(mm)
0	>3	>10	>180
~	~	~	~
3	6	10	18
±0.12	±0.18	±0.22	±0.26
±0.31	±0.37	±0.57	±0.80
±1.05	±1.15	±1.60	±2.20
±2.50	±2.50	±2.50	±2.50
0.1/10	0.1/10	0.1/10	0.1/10
±Z	±Z	±Z	±Z



PCB LAYOUT



ITEM	NAME OF PART	MATERIAL	NOTES
4	Pin header	Copper alloy	M2.5/Sn plated
3	Screw	Steel	M2.5/7In plated
2	Spring	Stainless steel	/
1	Housing	PBT	UL94V-0

UL 标准/UL Standard:	B	C	D
额定电压/Rated Voltage(V)/Current(A)	300/15	/	300/10
IEC 标准/IEC Standard:			
额定电压/电流/Rated Voltage(V)/Current(A)	450/20		
工频耐压/Withstanding voltage(V/1Min)	AC2500		
螺丝扭矩/Torque Tightening(N·m/Lb·in)	M2.5: 0.29/2.58		
线径范围(硬线和软线)/Wire Range(rigid and flexible)(mm ² /AWG)	1.0~2.5/22~14		
间距/Pitch(mm)/线数范围/Poles	7.5/N=02~12P		
剥线长度/Stripping length(mm)	6~7		
使用温度范围/Operating temperature(°C)	-30~+120		
符合RoHS环保要求/Conform to RoHS	Yes		

SURFACE:

DEGSON® NINGBO DEGSON ELECTRICAL CO., LTD

宁波高松电子有限公司

NAME: DG365-7.5-XXP-1Y-00A(H)
 DRAWING NO.: DG365-7.5-C01
 TYPE: CUSTOMER DRAWING
 SCALE: 2.5:1 SHEET 1/1

REV	ECN	DESCRIPTION	DRFT	DATE
1				
2				
3				
4				

MATERIAL: /
 MAT NO.: /
 STATUS: /
 APPD: Lian CHH 2020.05.15
 CHKD: Yu JZh 2020.05.15
 DRFT: CMZ 2016.09.22

SIZE: A4
 (mm)
 (inch)

REV T2
 1/1