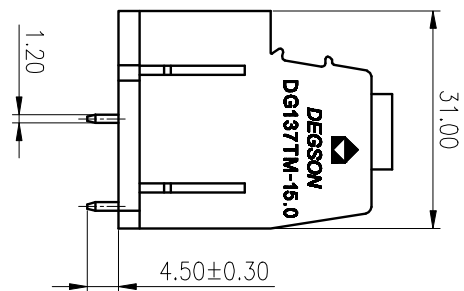
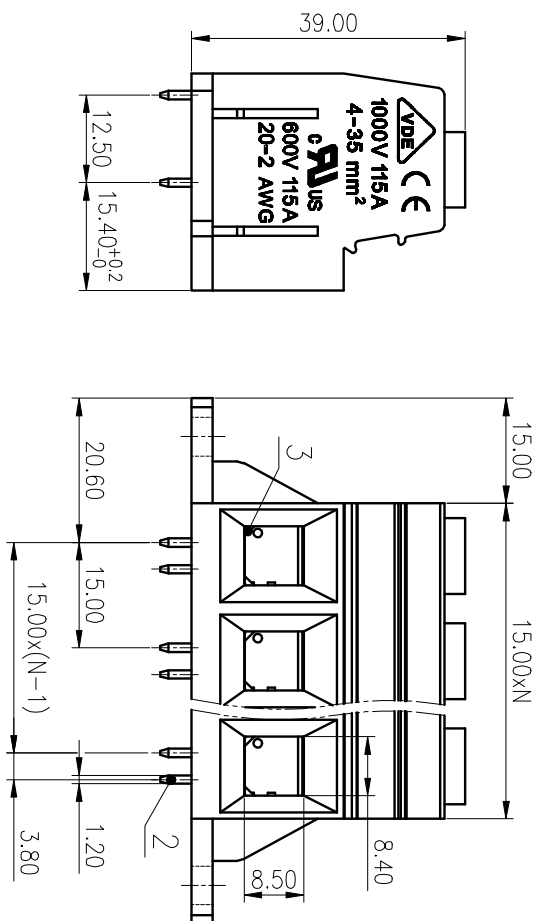
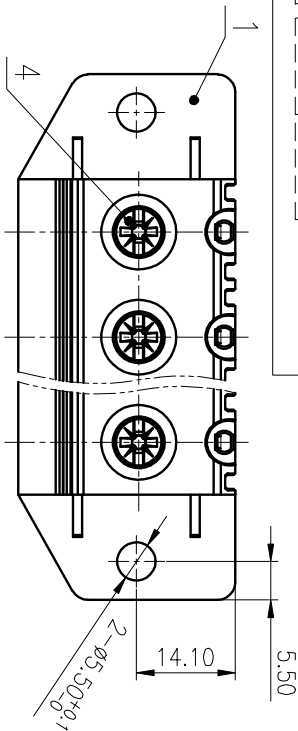
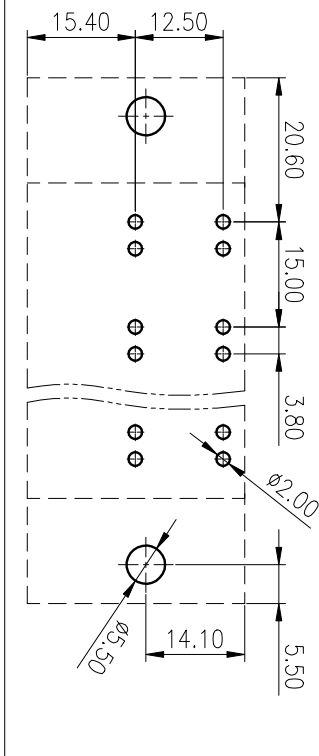


PCB LAYOUT



公差等级/General	tolerance/(mm)
0	>.3
~	>.6
3	>1.0
6	>1.8
10	>3.0
18	>5.0
30	>8.0
50	>12.0
80	>18.0
~	>25.0
120	>31.5
180	>40.0
250	>50.0
315	>63.0
400	>80.0
500	>100.0
~	>125.0
±0.12	±0.18
±0.22	±0.26
±0.31	±0.37
±0.57	±0.80
±0.93	±1.05
±1.15	±1.60
±2.20	±2.50
~	0.1/1.0
±Z	±Z

REV	ECN	DESCRIPTION	DRAFT	DATE
1				
2				
3				
4				

MATERIAL:	/
MAT NO.:	/
STATUS:	/
APPD: LanChH	2020.05.20
CHKD: YUJZh	2020.05.20
DRAFT: BGYH	2020.05.20
SIZE: A4	(mm) (inch)
TYPE: CUSTOMER DRAWING	SCALE: 1:1 SHEET 1/1

ITEM	NAME OF PART	MATERIAL	NOTES
1	Housing	PA66	UL94V-0
2	Pin header	Copper	Sn Plated
3	Cage	Steel	M5/Zn Plated
4	Screw	Steel	M5/Zn Plated

UL 标准/UL Standard:	B	C	D
额定电压/电涌/Rated Voltage(V)/Current(A)	600	113	600/113
IEC 标准/IEC Standard:	III/2		
过压类别/Overvoltage Category/污染等级	III/2		
额定电压/电涌/Rated Voltage(V)/Current(A)	1000/115		
工频耐压/Withstanding voltage(V/1min)	AC3500		
转矩范围/扭矩/Torque Tightening(N·m/Lb.in)	M5: 2.0/17.54		
线径范围/导线规格/Wire Range(rigid and flexible)(mm ² /AWG)	4~35/20~2		
间距/Pitch(mm)/线径范围/oles	15.00/N=2~9P		
引线长度/Stripping length(mm)	18~19		
使用温度范围/Operating temperature(°C)	-40~+105		
符合RoHS环保要求/Conform to RoHS	Yes		

NINGBO DEGSON ELECTRICAL CO., LTD
 宁波高松电子有限公司

NAME: DG137TM-15.0-XXP-1Y-00A(H)

DRAWING NO.: 10002113

REV T0