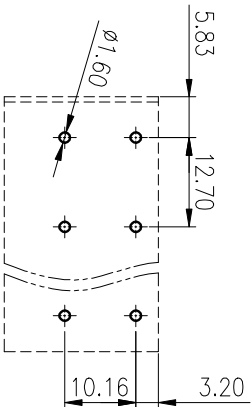
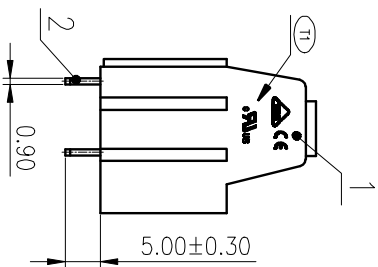
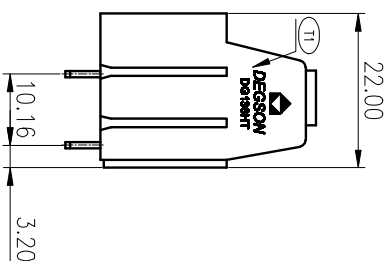
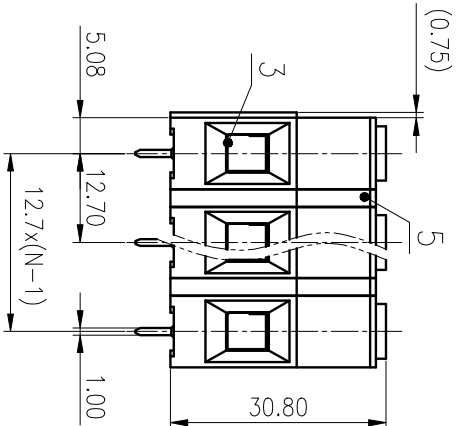
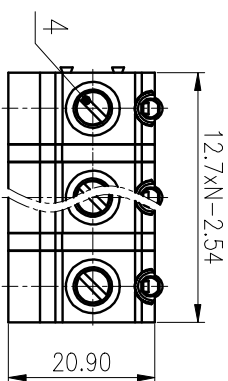


公差等级/General	Tolerances(mm)										公差等级/General		
0	>3	>6	>10	>18	>30	>50	>80	>120	>180	>280	>315	>400	0.1/10
~	~	~	~	~	~	~	~	~	~	~	~	>500	
3	6	10	18	30	50	80	120	180	280	315	400	500	±Z
±0.12	±0.18	±0.22	±0.26	±0.31	±0.37	±0.57	±0.80	±0.93	±1.05	±1.15	±1.60	±2.20	



REV	ECN	DESCRIPTION	DRAFT	DATE	SIZE: A4	TYPE: CUSTOMER DRAWING	SCALE: 1:1	SHEET
1	2	3	4	5	6	7	8	9
MATERIAL: / MAT NO.: / STATUS: / APPD: LanChH 2020.05.16 CHKD: YUJZh 2020.05.16 DRT: CMZ 2018.01.18					NAME: DEGSON® NINGBO DEGSON ELECTRICAL CO., LTD 宁波高松电子有限公司 DRAWING NO.: DG136HT-12.70-XXP-1Y-00A(H) TYPE: CUSTOMER DRAWING			
SURFACE: / EC Standard: III/2 过压类别/Overvoltage Category/污染等级: III/2 额定电压/电涌/Rated Voltage(V)/Current(A): 1000/65 工频耐压/Withstanding voltage(V/Min): AC3500 螺栓扭矩/Torque Tightening(N·m/Lb·in): M4: 1.2/10.53 线径范围(硬线和软线)/Wire Range(rigid and flexible)(mm²/AWG): 2.5~16/20~6 间距/Pitch(mm)/线数范围/Poles: 12.70/N=2~12P 剥线长度/Stripping length(mm): 10~11 使用温度范围/Operating temperature(°C): -40~+105 符合RoHS标准/Conform to RoHS: Yes					ITEM NAME OF PART MATERIAL NOTES 1 Housing PA66 UL94V-0 2 Pin header Copper Sn Plated 3 Cage Copper alloy M4/Ni Plated 4 Screw Copper alloy M4/Ni Plated 5 Clapboard PA66 UL94V-0			