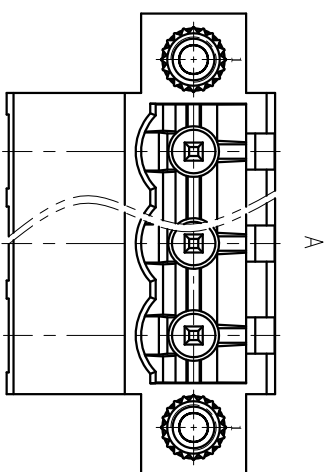
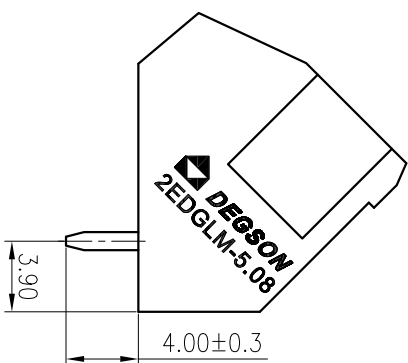
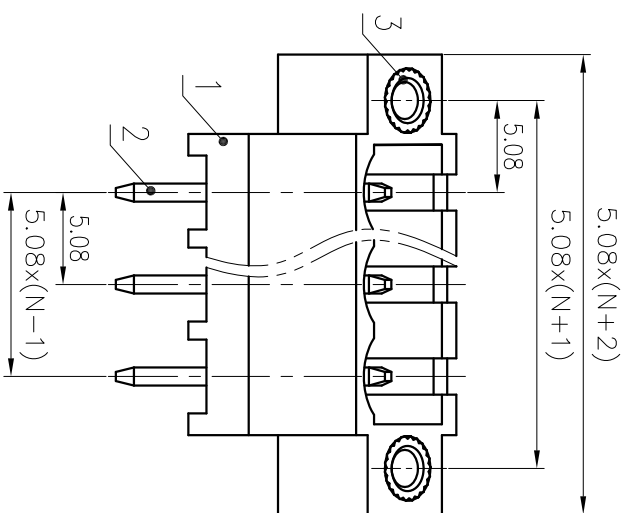
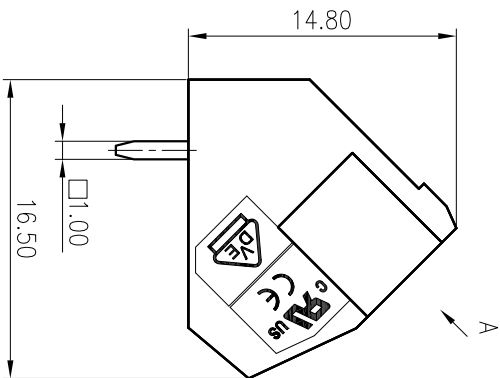
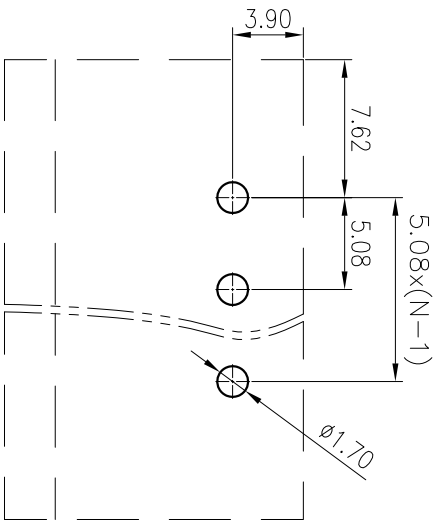


公差带/General tolerances(mm)		0	>3	>6	>10	>18	>30	>50	>80	>120	>180	>250	>315	>400	>500	0.1/10
±0.12	±0.18	±0.22	±0.26	±0.31	±0.37	±0.57	±0.80	±0.93	±1.05	±1.15	±1.60	±2.20	±2.50	±2.50	±2	±2



PCB LAYOUT



3	Nut	Copper alloy	Sn Plated
2	Pin	Copper	Sn Plated
1	Housing	PA66	UL94V-0
ITEM	NAME OF PART	MATERIAL	NOTES
UL 标准/UL Standard:		B	C
UL 标准/UL Standard:			D
额定电压/电流/Rated Voltage(V)/Current(A)		300/15	300/10
IEC 标准/IEC Standard:			
过压类别/Overvoltage Category/污染等级/Pollution Degree		III/3	III/2
额定电压/电流/Rated Voltage(V)/Current(A)		/	320/20
额定脉冲电压/浪涌电压(Rate Impulse Voltage(KV))		/	4.0
可距/Pitch(mm)/线数范围/Poles		5.08/N=02~24P	
使用温度范围/Operating temperature(°C)		-40~+105	
符合RoHS环保要求/Conform to RoHS		Yes	

SURFACE:

MATERIAL:

MAT NO.:

STATUS:

APPD: LanCHH 2020.05.16

CHKD: GongYzH 2020.05.16

DRT: LY 2020.05.16

DEGSON® 宁波高松电子有限公司  
NINGBO DEGSON ELECTRICAL CO., LTD

NAME: 2EDGLM-5.08-XXP-1Y-00A(H)

DRAWING NO.: 10002062

TYPE: CUSTOMER DRAWING

SCALE: 2.5:1

REV	ECN	DESCRIPTION	DRT	DATE
1				
2				
3				
4				