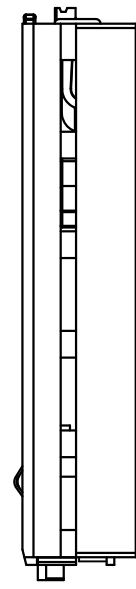
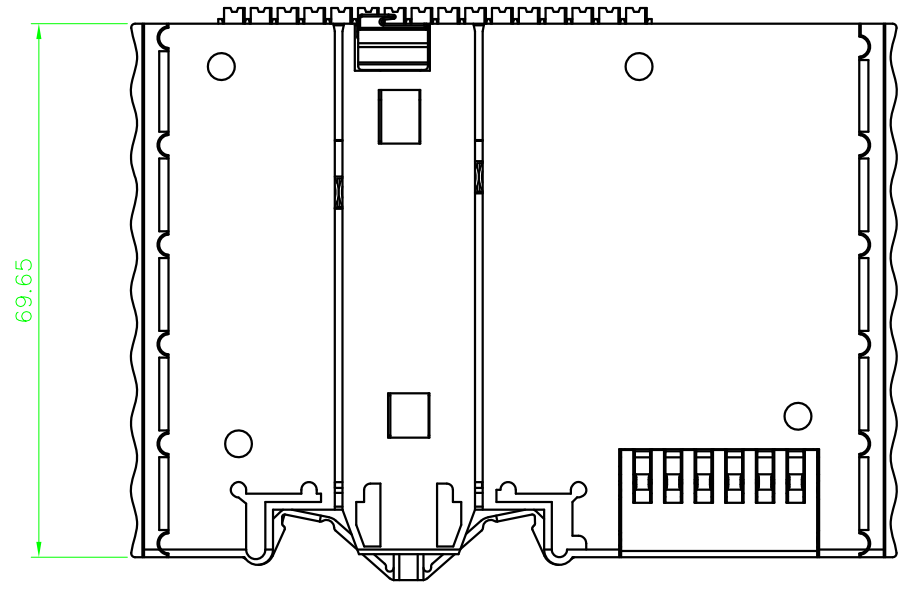
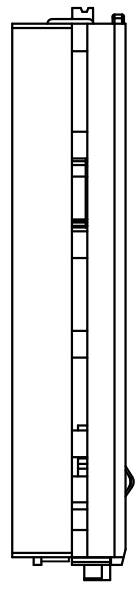
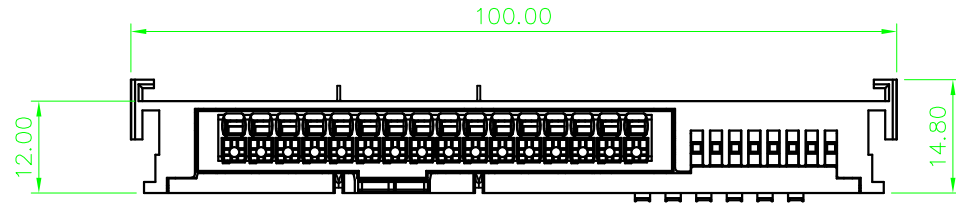



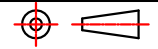
REVISION RECORD				
REV	ECN	DESCRIPTION	DRFT	DATE



Technical parameter	
Overvoltage category	II
Rated voltage	24V
Rated current	10A
Wire range	28~16AWG/0.2~1.5mm <sup>2</sup>
Stripping length	8~9mm

NOTES:  
 1.Color:pantone 424U  
 2.RoHS Compliance  
 3.Undimensioned tolerances:

Pitch range in mm		Nominal dimension range in mm					0.1/10
TO 6	Over 6 TO 10	Over 10 TO 24	TO 30	Over 30 TO 60	Over 60 TO 100	Over 100 TO 150	Over 150
±0.15	±0.20	±0.30	±0.30	±0.50	±0.70	±1.00	±1.30
							±2'

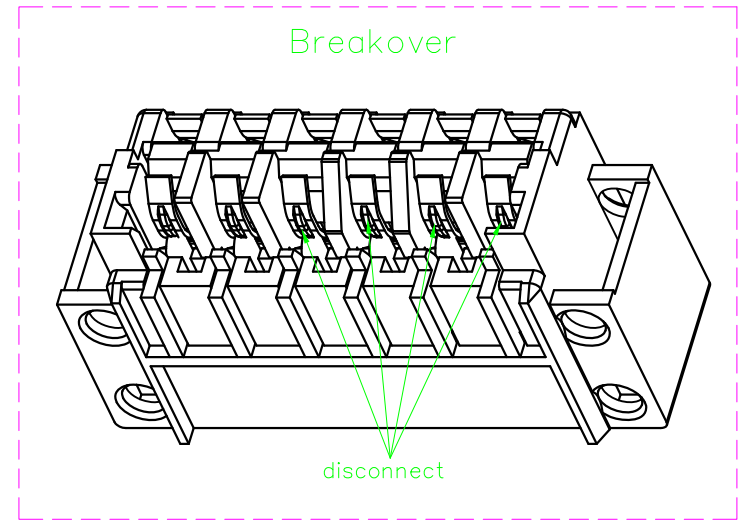
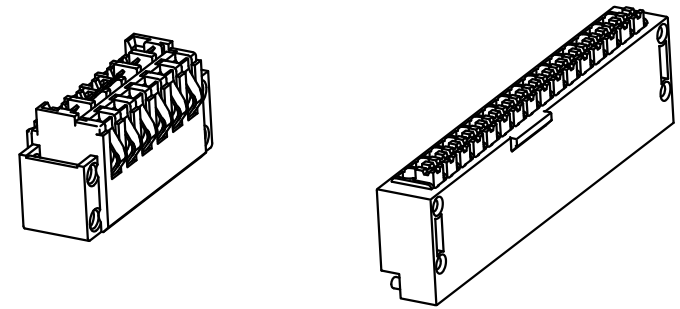
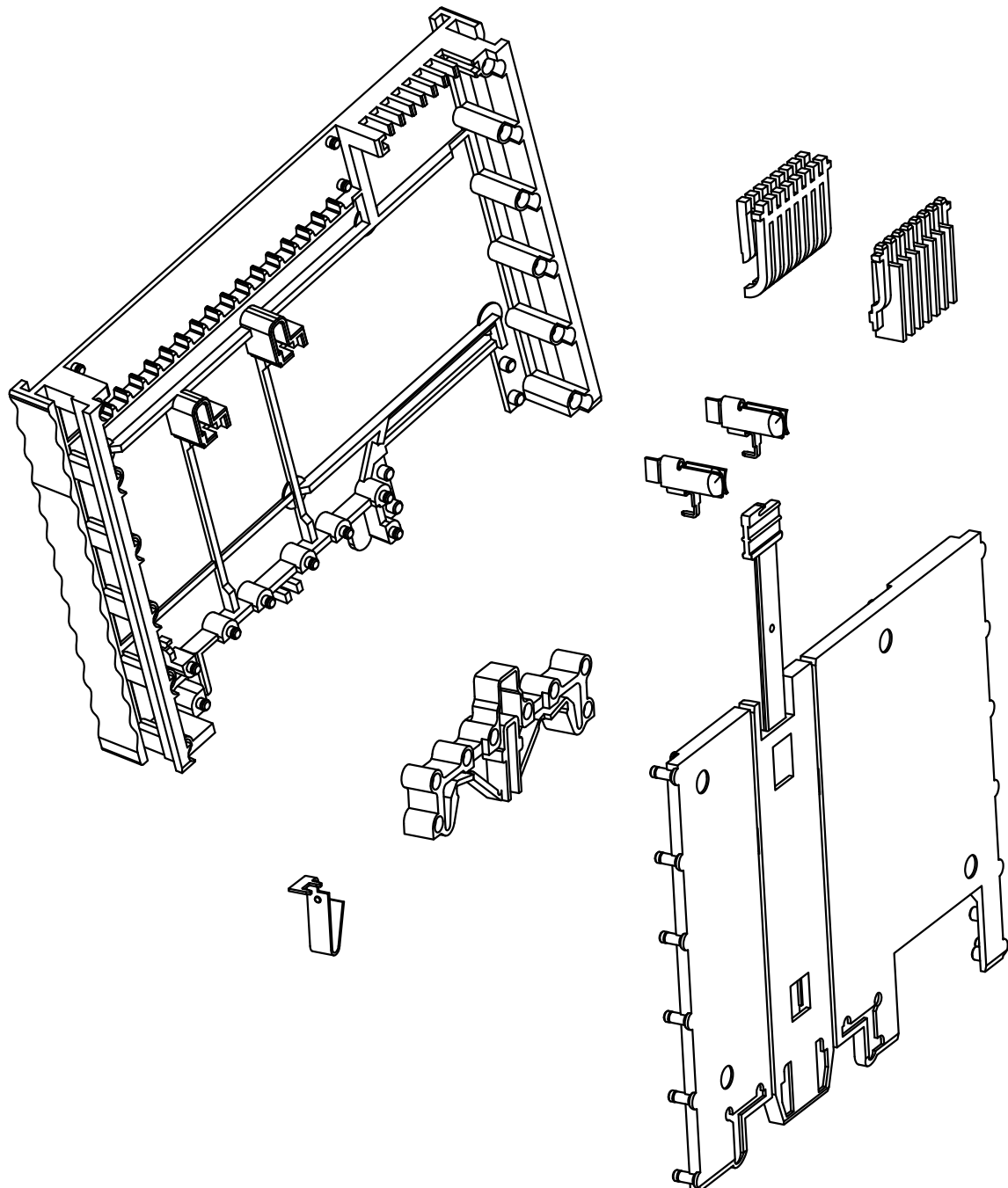
DETACHED LISTS	PART NO.:	 宁波高松电子有限公司 NINGBO DEGSON ELECTRICAL CO., LTD		
	APPD:	NAME: <b>DF750-HT-200-11-1001AH</b>		
	CHKD:	TITLE: <b>ASSEMBLY DRAWING</b>		
	DRFT: <b>XXY 2019.07.11</b>	REV: <b>D0-1</b>	SHEET: <b>1/2</b>	SCALE: <b>1:1</b>
 THIRD ANGLE PROJECTION		DRAWING NO.: DO NOT SCALE DRAWING		


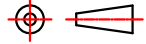
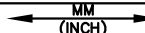
H  
G  
F  
E  
D  
C  
B  
A

H  
G  
F  
E  
D  
C  
B  
A

REVISION RECORD

REV	ECN	DESCRIPTION	DRFT	DATE
-----	-----	-------------	------	------



DETACHED LISTS	PART NO.:	 宁波高松电子有限公司 NINGBO DEGSON ELECTRICAL CO., LTD		
	APPD:	NAME: <b>DF750-HT-200-11-1001AH</b>		
	CHKD:	TITLE: <b>ASSEMBLY DRAWING</b>		
	DRFT: <b>XXY 2019.07.11</b>	REV: <b>D0-1</b>	SHEET: <b>2/2</b>	SCALE: <b>1:1</b>
	 THIRD ANGLE PROJECTION	DRAWING NO.:  DO NOT SCALE DRAWING		