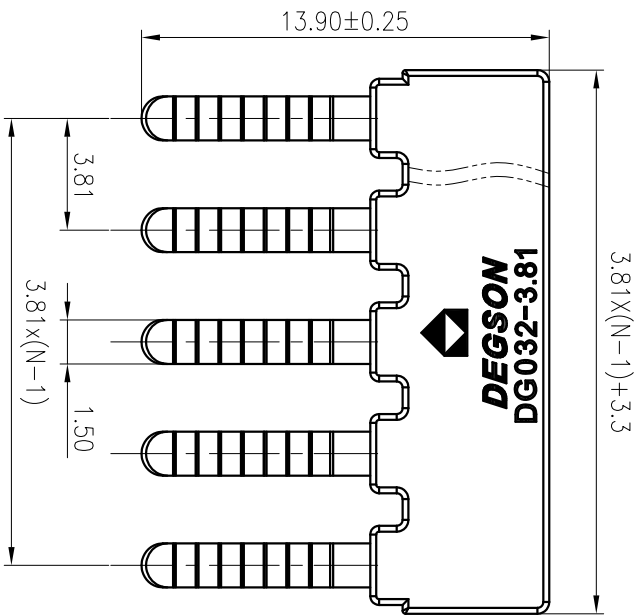
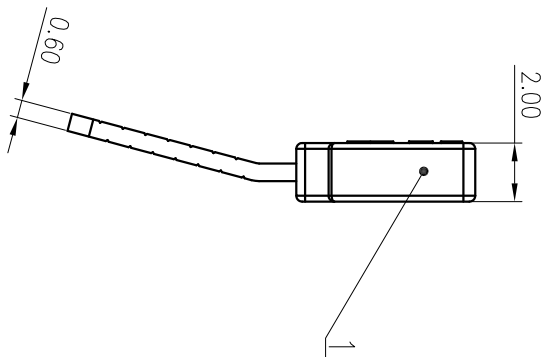
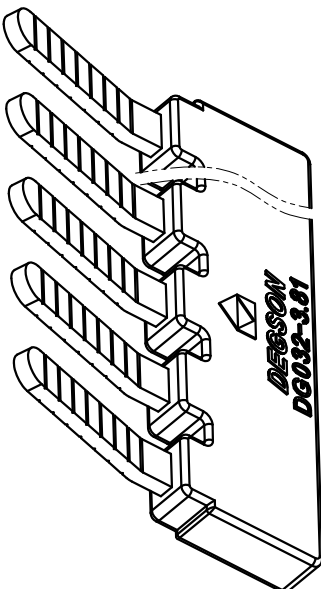


公差/General tolerances(mm)		0.1/10
0	>3	~
~	>6	~
3	~	~
~	10	~
6	~	~
~	18	~
~	30	~
±0.12	±0.18	±0.22
±0.26	±0.31	±0.37
±0.43	±0.57	±0.80
±0.93	±1.05	±1.15
±1.60	±2.20	±2.50
±2		

Please refer to the 3D model, for those unmarked dimensions



ITEM	NAME OF PART	MATERIAL	NOTES
1	Housing	PA66	UL94V-0
8	额定电流/Rated Current(A)		3.81/N=02~10P
	间距/Pitch(mm)/线数范围/Poles		-40~+105
	使用温度范围/Operating temperature(°C)		
	符合RoHS环保要求/Conform to RoHS		Yes

MATERIAL: / SURFACE: /

MAT NO.: /

STATUS: /

APPD: Li GL 2020.12.28

CHKD: Mao J 2020.12.28

DRFT: XXY 2016.06.27

SIZE: A4

NAME: **DEGSON**® NINGBO DEGSON ELECTRICAL CO., LTD
宁波高松电子有限公司

DRAWING NO.: DG032-3.81-C01

TYPE: CUSTOMER DRAWING

SCALE: 4:1 SHEET 1/1

REV	ECN	DESCRIPTION	DRFT	DATE
1		Update drawing	Zhang JD	2020.12.28