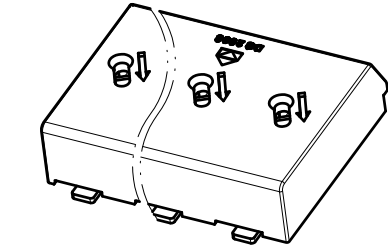
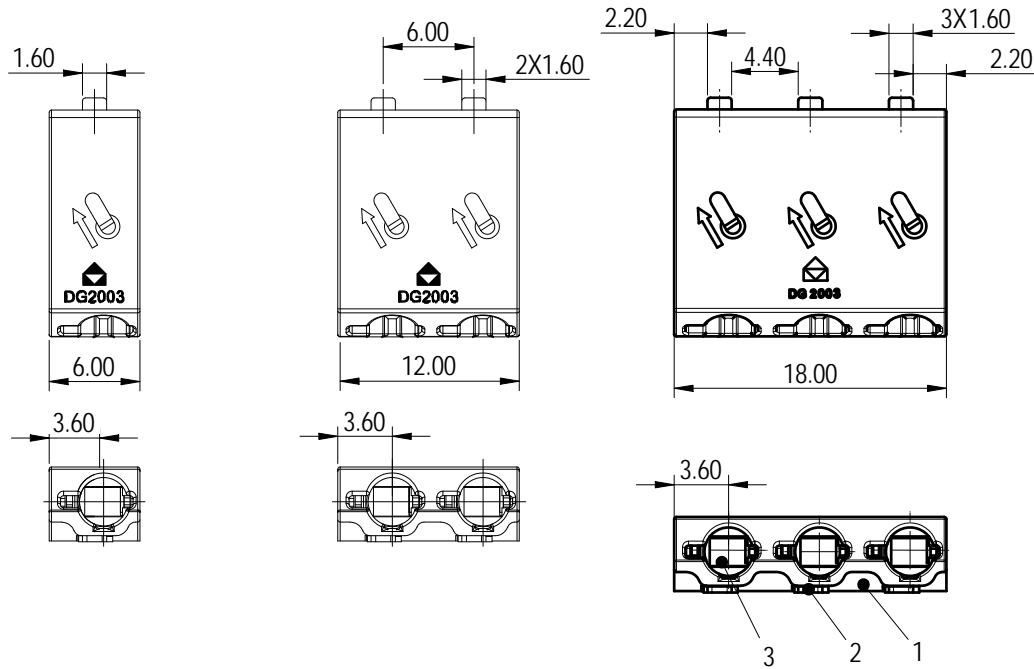
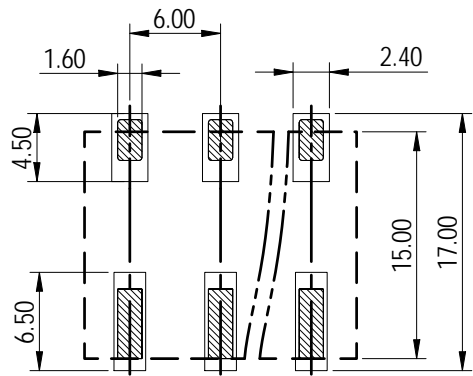


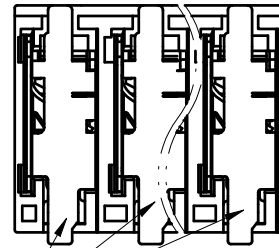
未注公差/General tolerances (mm)											0.1/10 ±2'		
0	>3	>6	>10	>18	>30	>50	>80	>120	>180	>250		>315	>400
~3	~6	~10	~18	~30	~50	~80	~120	~180	~250	~315	~400	~500	>500
±0.12	±0.18	±0.22	±0.26	±0.31	±0.37	±0.57	±0.80	±0.93	±1.05	±1.15	±1.60	±2.20	±2.50



Unmarked dimensions please refer to 3D model



PCB LAYOUT



Hot melting

Note: The A&Z (H) in the name means: A (H) and Z (H).

ITEM	NAME OF PART	MATERIAL	NOTES
3	Spring	Stainless steel	/
2	Pin header	Copper alloy	Sn Plated
1	Housing	LCP	UL94V-0

UL 标准额定电压/电流/Rated Voltage(V)/Current(A)		600/10(O1P)
		300/10(O2P/O3P)
IEC 标准/IEC Standard:		
过压类别/Overtoltage Category/污染等级/Pollution Degree		III/3 III/2 II/2
额定电压/电流/Rated Voltage(V)/Current(A)		320/17.5 200/17.5 200/17.5
额定脉冲电压(KV)/Rate Impulse Voltage(KV)		4 4 4
线径范围(硬线和软线)/Wire Range(rigid and flexible)(AWG/mm²)		20~16 / 0.5~1.5
间距/pitch线数范围/Poles		6.0/N=01~03P
剥线长度/Stripping length(mm)		09~11
使用温度范围/Operating temperature(°C)		-40~+105
符合RoHS环保要求/Conform to RoHS		Yes



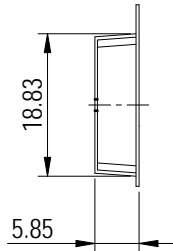
APPD:	蓝贵凡	2023.03.02
CHKD:	曹利彬	2023.03.02
DRFT:	孙科豪	2023.03.02

MATERIAL:		SURFACE/COLOR: PANTONE 428C	
MAT NO./REV:		MAT STATUS: 批量	
NAME			
DG2003-6.0-XXP-1Y-01A&Z(H)			
DRAWING NO.	TYPE	DRAWING STATUS	SCALE
/	CUSTOMER DRAWING	已发布	2:1
SHEET		1/4	

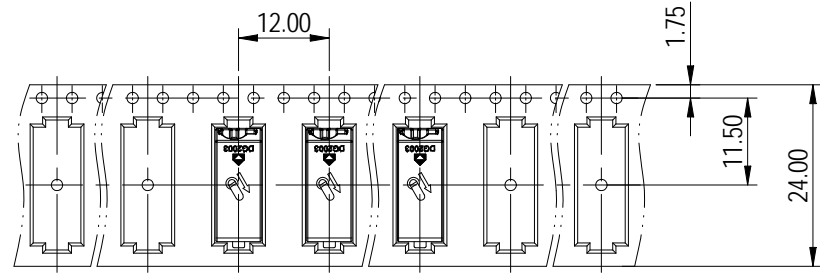
REV	ECN	DESCRIPTION	DRFT	DATE
00				

Transfer or duplication of this document as well as the utilization or communication of its content is prohibited unless authorized in writing by DEGSON. All rights reserved for patent. 除专利等明确标注外，其他内容均受版权保护。未经授权，禁止复制或传播。 0.1/10

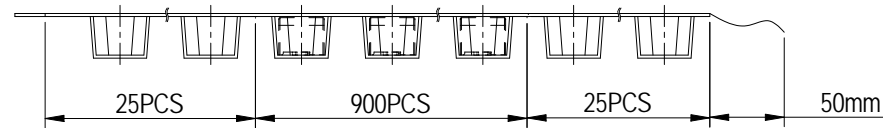
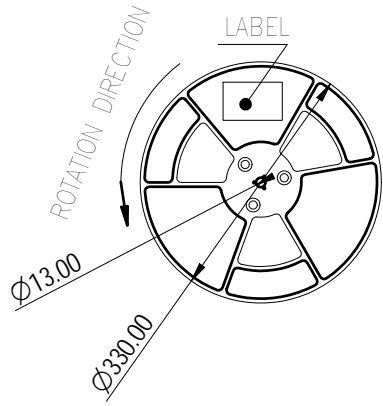
Transfer or duplication of this document as well as the utilization or communication of its content are prohibited unless authorized in writing by Degson. All rights reserved for patent, utility model or design registrations. 除专利等明确标注外，其他内容均受法律保护。未经许可，不得复制或传播。 侵权必究。 保留所有权利。



01P Package



← REELING DIRECTION



25PCS Blank

25PCS Blank



MATERIAL:	SURFACE/COLOR: PANTONE 428C
MAT NO./REV: / 00	MAT STATUS: 批量

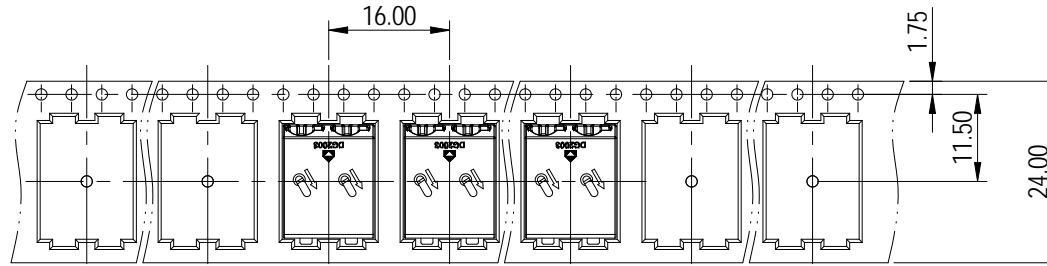
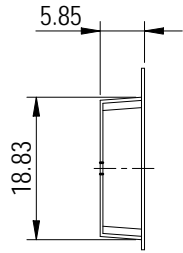
APPD: 蓝贵凡	2023. 03. 02	NAME	DG2003-6. 0-XXP-1Y-01A&Z (H)		
CHKD: 曹利彬	2023. 03. 02				

REV	ECN	DESCRIPTION	DRFT	DATE
00				

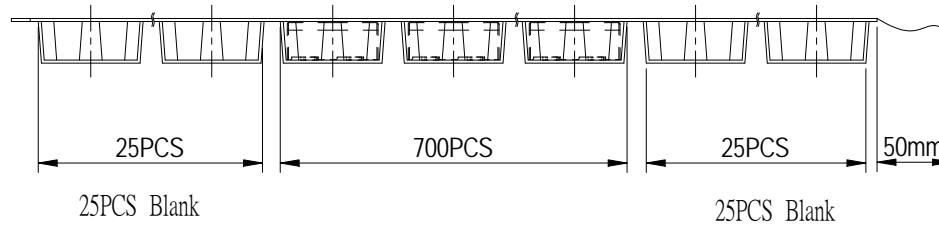
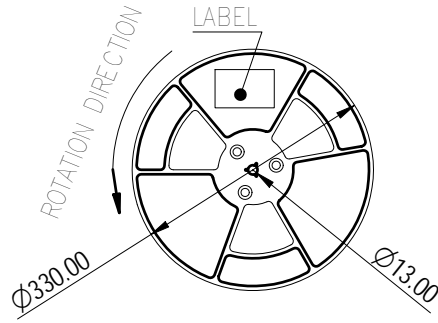
DRFT: 孙科豪	2023. 03. 02	DRAWING NO. /	TYPE CUSTOMER DRAWING	DRAWING STATUS 已发布	SCALE 1:1	SHEET 2/4
-----------	--------------	---------------	--------------------------	-----------------------	--------------	--------------

Transfer or duplication of this document as well as the utilization or communication of its contents are prohibited unless expressly authorized in writing by Degson. All rights reserved for patent, utility model or design registrations. 除专利等明确授权外，否则禁止非法、复制、引用、交流本文件的内容。未经书面许可，不得复制或传播本文件内容。 Degson 保留所有权利。

02P Package



← REELING DIRECTION

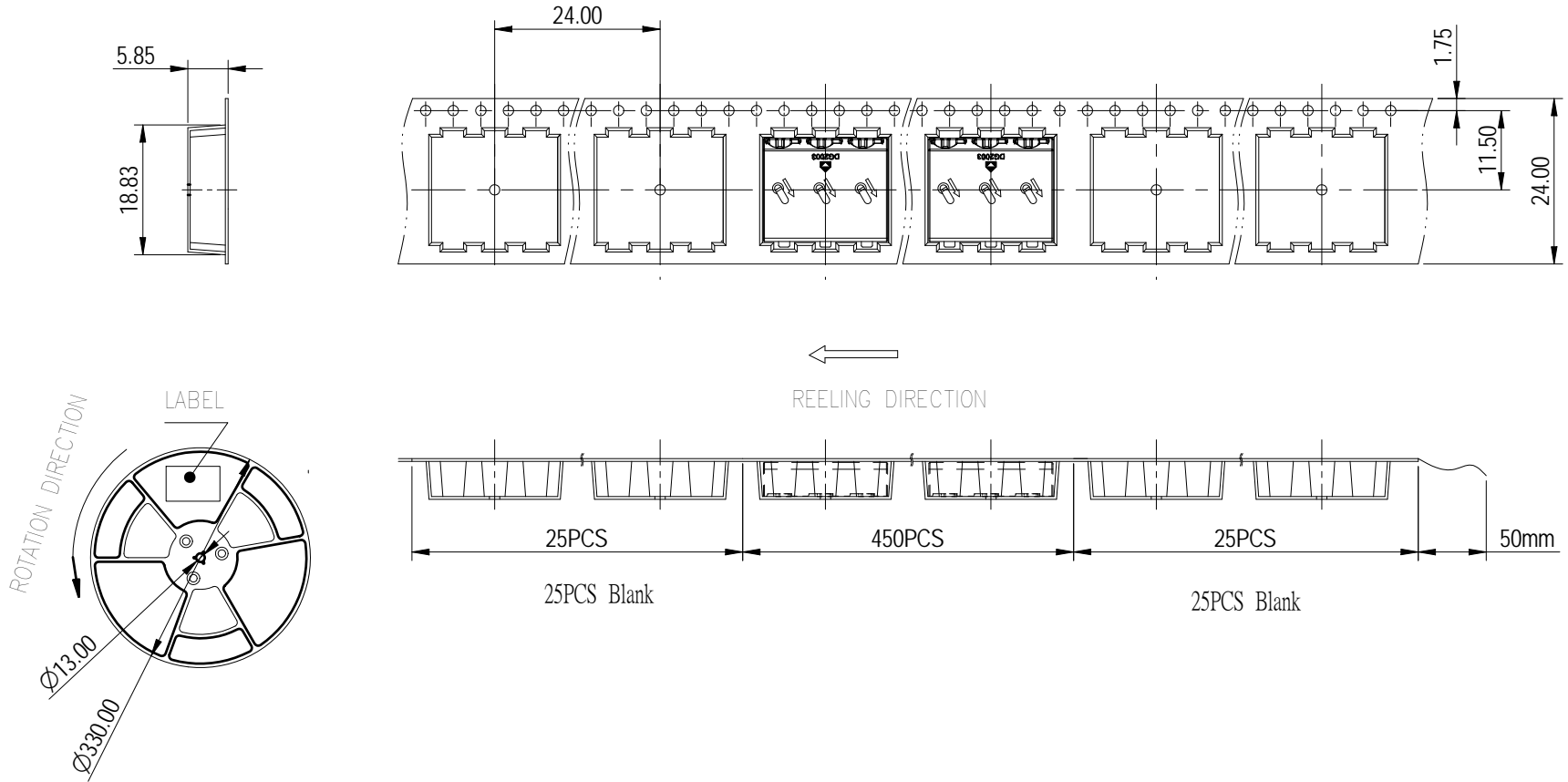


MATERIAL:		SURFACE/COLOR: PANTONE 428C		
MAT NO./REV: / 00		MAT STATUS: 批量		
APPD: 蓝贵凡	2023.03.02	NAME DG2003-6.0-XXP-1Y-01A&Z(H)		
CHKD: 曹利彬	2023.03.02			
DRFT: 孙科豪	2023.03.02	DRAWING NO. /	TYPE CUSTOMER DRAWING	DRAWING STATUS 已发布
REV	ECN	DESCRIPTION	DRFT	DATE
00				

REV	ECN	DESCRIPTION	DRFT	DATE
00				

APPD: 蓝贵凡	2023.03.02
CHKD: 曹利彬	2023.03.02
DRFT: 孙科豪	2023.03.02

03P Package



Transfer or duplication of this document as well as the utilization or communication of its contents are prohibited unless explicitly authorized by Degson. All rights reserved for patent, utility model or design registrations. 除专利、实用新型、外观设计、软件著作权等依法享有的权利外，其他权利均归德松公司所有。未经许可，不得复制或传播。

00					
REV	ECN	DESCRIPTION	DRFT	DATE	

		MATERIAL:	SURFACE/COLOR: PANTONE 428C		
		MAT NO./REV:	/ 00		MAT STATUS: 批量
APPD: 蓝贵凡	2023.03.02	NAME			
CHKD: 曹利彬	2023.03.02	DG2003-6.0-XXP-1Y-01A&Z (H)			
DRFT: 孙科豪	2023.03.02	DRAWING NO.	TYPE	DRAWING STATUS	SCALE
		/	CUSTOMER DRAWING	已发布	1:1
					SHEET 4/4