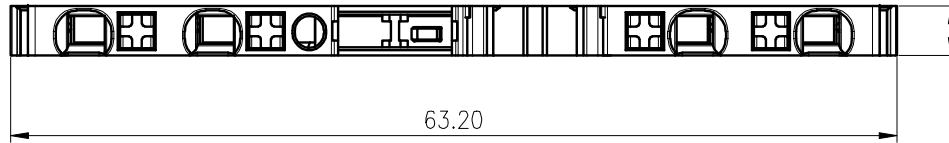
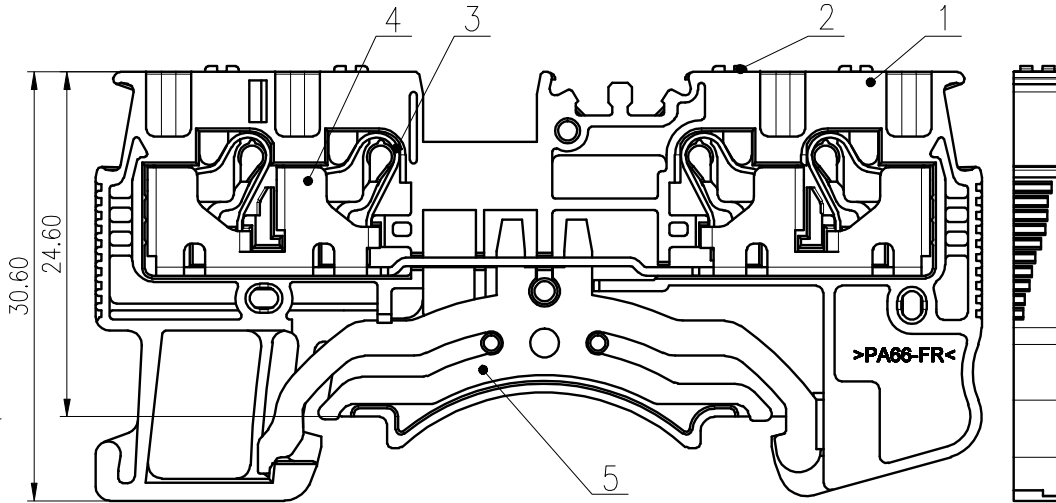


未注公差/General tolerances(mm)											0.1/10 ±Z		
0	>3	>6	>10	>18	>30	>50	>80	>120	>180	>250		>315	>400
±0.12	±0.18	±0.22	±0.26	±0.31	±0.37	±0.57	±0.80	±0.93	±1.05	±1.15	±1.60	±2.20	±2.50

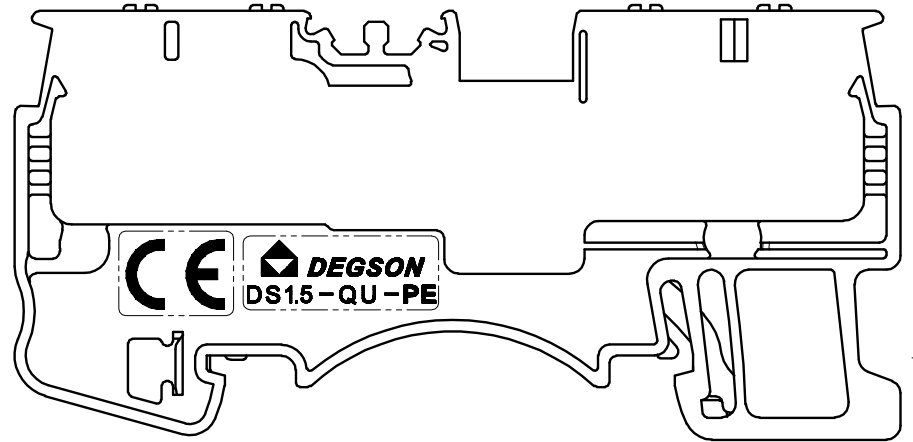
A



B



C



D

UL 标准/UL Standard:	B	C	D
额定电压/电流/Rated Voltage(V)/Current(A)	/	/	/
IEC 标准/IEC Standard:			
过压类别/Overvoltage Category/污染等级/Pollution Degree	III/3	/	/
额定电压/电流/Rated Voltage(V)/Current(A)	/	/	/
额定脉冲电压(KV)/Rate Impulse Voltage(KV)	6.0		
螺丝扭矩/Torque Tightening(N·m/Lb.in)		/	
线径范围(硬线和软线)/Wire Range(rigid and flexible)(mm ² /AWG)		0.14~1.5/ 26~16 & 14(SOL)	
间距/Pitch(mm)		3.5	
剥线长度/Stripping length(mm)		8~10	
使用温度范围/Operating temperature(°C)		-40~+105	
符合RoHS环保要求/Conform to RoHS		Yes	
标准颜色编号/Standard color number: PANTONE / RAL		/	

MATERIAL: / SURFACE: /

宁波高松电子有限公司
NINGBO DEGSON ELECTRICAL CO., LTD

APPD: Li GL 2020.04.03
 CHKD: Mao J 2020.04.03
 DRFT: MEK 2019.08.27

NAME: **DS1.5-QU-PE-01P-1C-00A(H)**
 DRAWING NO.: DS1.5-QU-PE-C01
 REV TO
 TYPE: CUSTOMER DRAWING SCALE: 2:1 SHEET 1/1

5	Grounding	Copper alloy	Sn Plated
4	Current carrier	Copper	Sn Plated
3	Spring	Stainless steel	
2	Button	PA66-GF	UL94V-0
1	Housing	PA66	UL94V-0
ITEM	NAME OF PART	MATERIAL	NOTES

REV	ECN	DESCRIPTION	DRFT	DATE