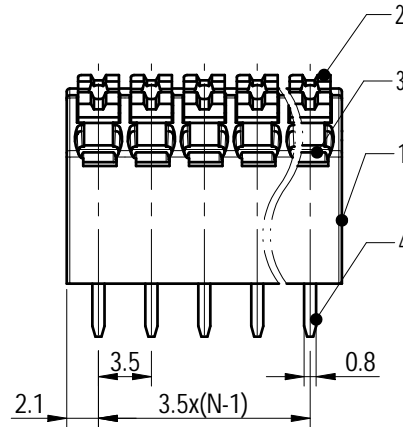
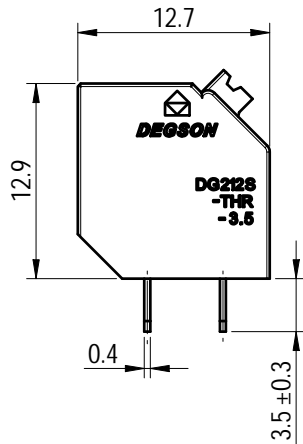
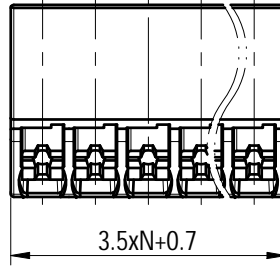
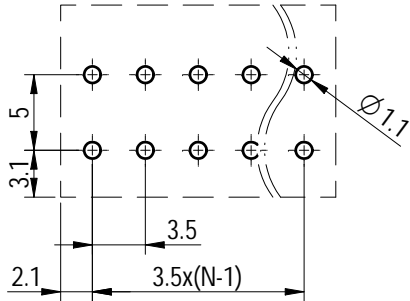
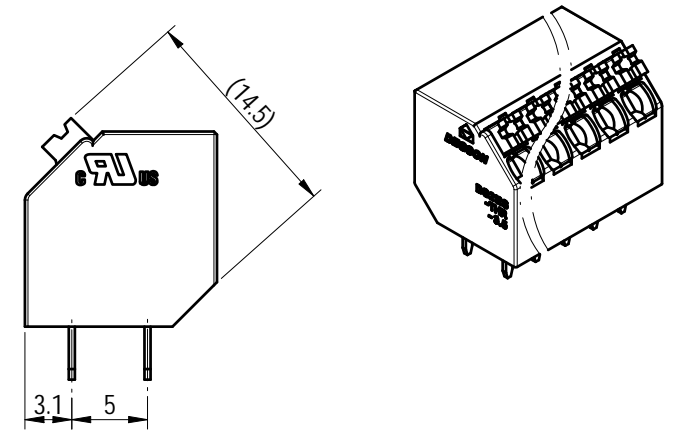


PCB LAYOUT



未注公差/General tolerances (mm)													0.1/10	
0	>3	>6	>10	>18	>30	>50	>80	>120	>180	>250	>315	>400		>500
±0.12	±0.18	±0.22	±0.26	±0.31	±0.37	±0.57	±0.80	±0.93	±1.05	±1.15	±1.60	±2.20	±2.50	±2'

UL 标准/UL Standard:	B	C	D
额定电压/电流/Rated Voltage(V)/Current(A)	300/12	/	300/10
IEC 标准/IEC Standard:			
过压类别/Overvoltage Category/污染等级/Pollution Degree	III/3	III/2	II/2
额定电压/Rated Voltage(V)	160	160	320
额定电流/Rated Current(A)	02P:17.5		
额定电流/Rated Current(A) Tu=20°C	24P:16		
额定电流/Rated Current(A) Tu=40°C	24P:14		
额定脉冲电压(KV)/Rate Impulse Voltage(KV)	2.5	2.5	2.5
线径范围(硬线和软线)/Wire Range(rigid and flexible)(AWG/mm²)	28~14 / 0.2~1.5		
间距/Pitch(mm)/线数范围/Poles	3.5/N=02~24P		
剥线长度/Stripping length(mm)	9		
使用温度范围/Operating temperature(°C)	-40~+130		



4	Pin Header	Copper Alloy	Sn Plated
3	Spring	Stainless Steel	/
2	Button	PA66-GF	UL94V-0
1	Housing	Thermoplastic	UL94V-0
ITEM	NAME OF PART	MATERIAL	NOTES

APPD: 兰春华 2022.09.01		MATERIAL: /		SURFACE/COLOR: /	
CHKD: 陈招 2022.09.01		MAT NO./REV: - / 00		MAT STATUS: 小批量	
DRFT: 岑凯 2022.09.01		NAME			
DRAWING NO. 200063475		DG212S-THR-3.5-XXP-1Y-00A(H)			
TYPE CUSTOMER DRAWING		DRAWING STATUS 已发布		SCALE 2:1	SHEET 1/1

REV	ECN	DESCRIPTION	DRFT	DATE
00		1X首版发行	岑凯	2022.09.01

Transfer or duplication of this document as well as the utilization or communication of its contents are prohibited unless authorized in advance. Violations will be treated as a criminal offense. All rights reserved for patent. 除专利声明外，本文件的所有权、复制、使用、分发等文件均受法律保护。未经事先许可，不得擅自复制或传播。侵权必究。