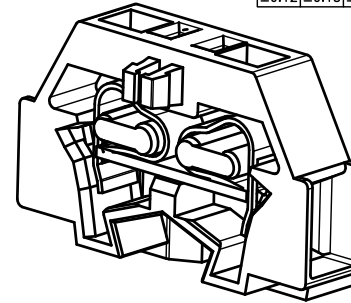
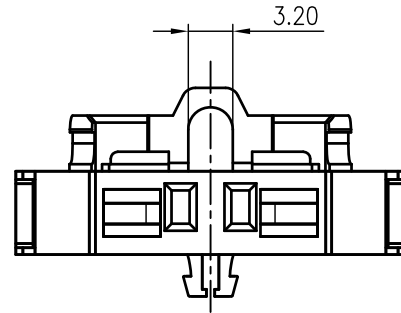
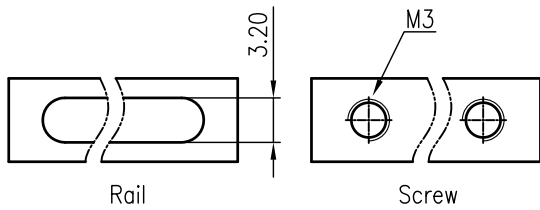
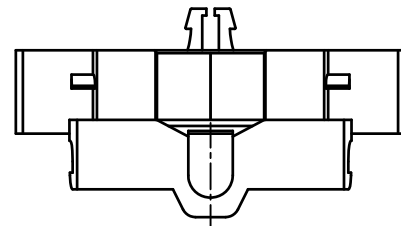
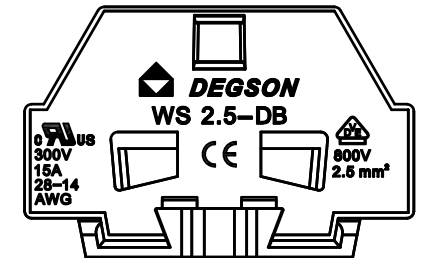
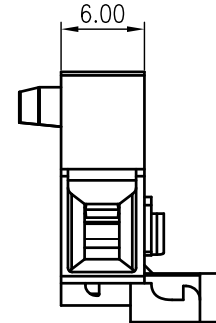
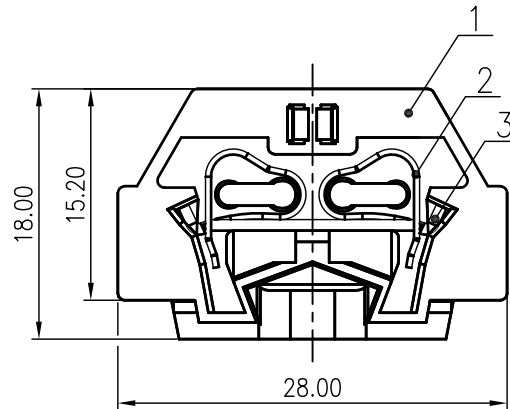
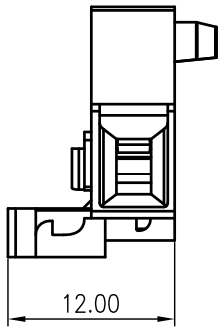


Recommended value for mounting holes



| 未注公差/General tolerances(mm) | | | | | | | | | | | | 0.1/10 | | |
|-----------------------------|--------|---------|----------|----------|----------|----------|-----------|------------|------------|------------|------------|--------|------------|------|
| 0 ~ 3 | >3 ~ 6 | >6 ~ 10 | >10 ~ 18 | >18 ~ 30 | >30 ~ 50 | >50 ~ 80 | >80 ~ 120 | >120 ~ 180 | >180 ~ 250 | >250 ~ 315 | >315 ~ 400 | | >400 ~ 500 | >500 |
| ±0.12 | ±0.18 | ±0.22 | ±0.26 | ±0.31 | ±0.37 | ±0.57 | ±0.80 | ±0.93 | ±1.05 | ±1.15 | ±1.60 | ±2.20 | ±2.50 | ±2' |

| | | | |
|--|---------------|--------|--------|
| UL 标准/UL Standard: | B | C | D |
| 额定电压/电流/Rated Voltage(V)/Current(A) | 300/15 | 300/15 | 300/10 |
| EC 标准/IEC Standard: | | | |
| 过压类别/Overvoltage Category/污染等级/Pollution Degree | III/3 | III/2 | II/2 |
| 额定电压/电流/Rated Voltage(V)/Current(A) | 800/24 | / | / |
| 额定脉冲电压(KV)/Rate Impulse Voltage(KV) | 8 | / | / |
| 线径范围(硬线和软线)/Wire Range(rigid and flexible)(mm ² /AWG) | 0.2~2.5/28~14 | | |
| 间距/Pitch(mm)/线数范围/Poles | 01P | | |
| 剥线长度/Stripping length(mm) | 9~10 | | |
| 使用温度范围/Operating temperature(°C) | -40~+105 | | |
| 符合RoHS环保要求/Conform to RoHS | Yes | | |



| | | | |
|------|-----------------|-----------------|-----------|
| 3 | Current carrier | Copper | Sn Plated |
| 2 | Spring | Stainless steel | / |
| 1 | Housing | PA66 | UL94V-0 |
| ITEM | NAME OF PART | MATERIAL | NOTES |

| | | | |
|--------------------------|---|-------------|-----------|
| MATERIAL: / | SURFACE: / | | |
| MAT NO.: / | 宁波高松电子有限公司 NINGBO DEGSON ELECTRICAL CO., LTD | | |
| STATUS: / | NAME: WS2.5-DB-01P-1Y-100A(H) | | |
| APPD: LiGL 2020.05.08 | DRAWING NO.: WS2.5-DB-C15 | | |
| CHKD: MaoJ 2020.05.07 | REV TO | | |
| DRFT: ZhengQG 2020.03.20 | TYPE: CUSTOMER DRAWING | | |
| REV | ECN | DESCRIPTION | DRFT DATE |
| | | | |
| | | | |

| | | | | |
|-----|-----|-------------|------|------|
| REV | ECN | DESCRIPTION | DRFT | DATE |
| | | | | |
| | | | | |

| | | | |
|----------|------------------------|------------|-----------|
| SIZE: A4 | TYPE: CUSTOMER DRAWING | SCALE: 2:1 | SHEET 1/1 |
|----------|------------------------|------------|-----------|