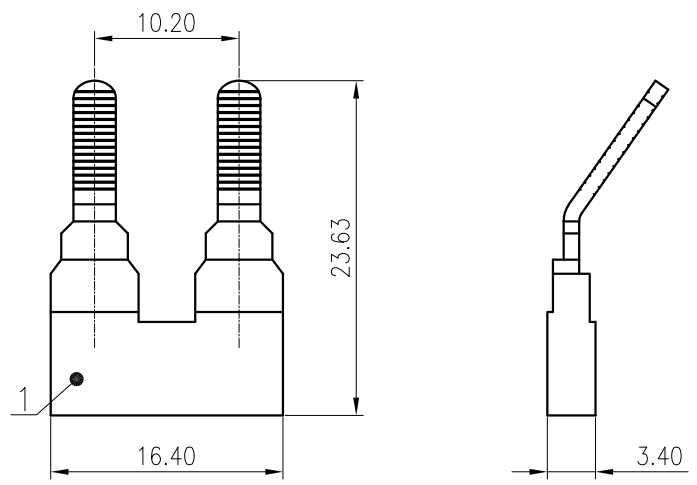


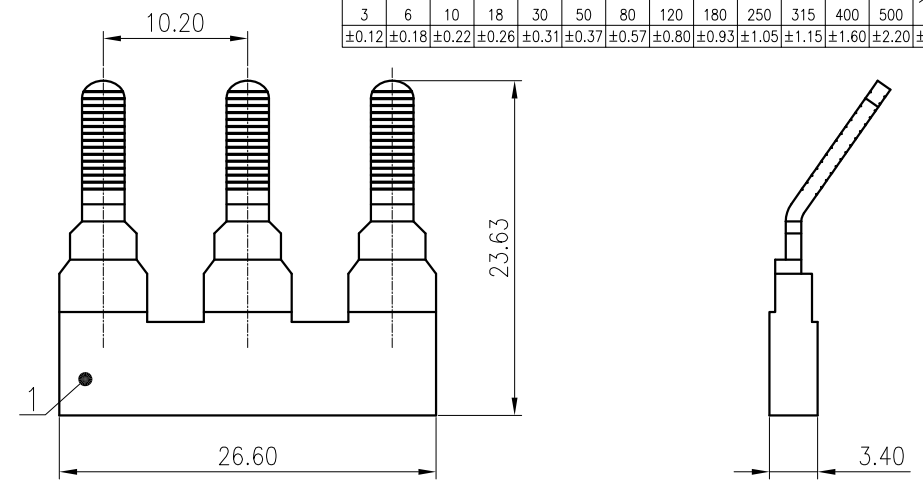
未注公差/General tolerances(mm)											D 0.1/10		
0	>3	>6	>10	>18	>30	>50	>80	>120	>180	>250		>315	>400
±0.12	±0.18	±0.22	±0.26	±0.31	±0.37	±0.57	±0.80	±0.93	±1.05	±1.15	±1.60	±2.20	±2.50

A



02P

B

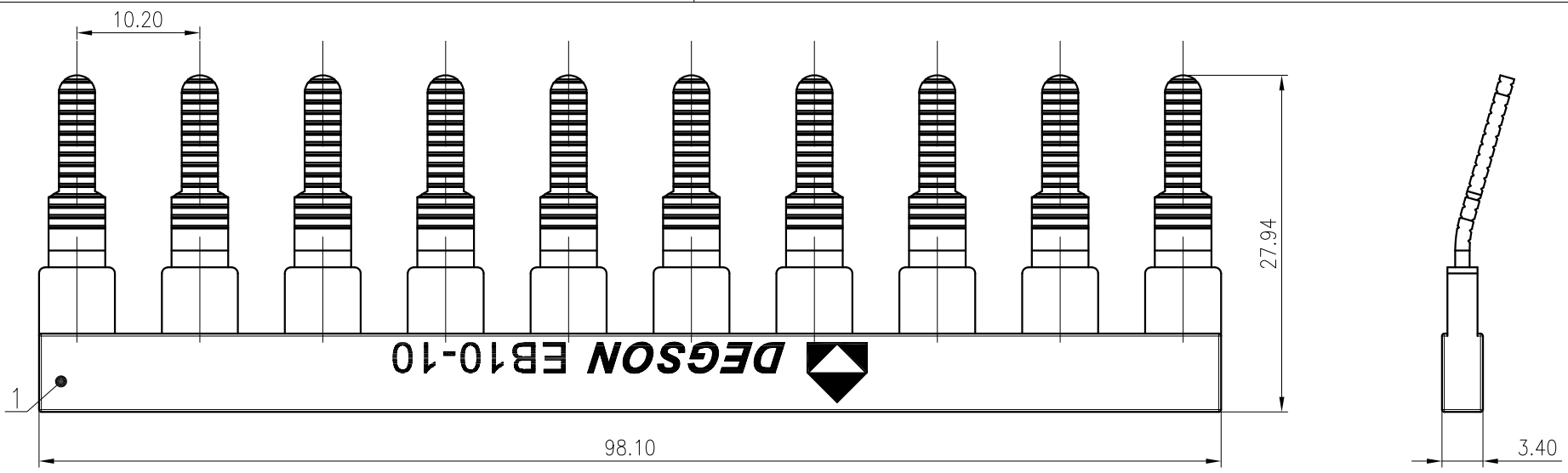


03P

A

B

C



10P

C

D

1	Bridge		
ITEM	NAME OF PART	MATERIAL	NOTES
间距/Pitch(mm)/线数范围/Poles		10.2/N=02P,03P,10P	
使用温度范围/Operating temperature(°C)		-40~+105	
符合RoHS环保要求/Conform to RoHS		Yes	

REV	ECN	DESCRIPTION	DRFT	DATE

MATERIAL: /	SURFACE: /					
MAT NO.: /	宁波高松电子有限公司 NINGBO DEGSON ELECTRICAL CO., LTD					
STATUS: /	NAME: EBXX-10-1Y-00A(H)					
APPD: Li GL 2020.06.10	DRAWING NO.: EBXX-10-C01					
CHKD: Mao J 2020.06.10	REV	TO				
DRFT: Chen K 2020.06.03	TYPE: CUSTOMER DRAWING					
SIZE: A4 <table border="0"> <tr> <td>← mm</td> <td>→</td> </tr> <tr> <td>(inch)</td> <td></td> </tr> </table>	← mm	→	(inch)		SCALE: 2:1	SHEET 1/1
← mm	→					
(inch)						