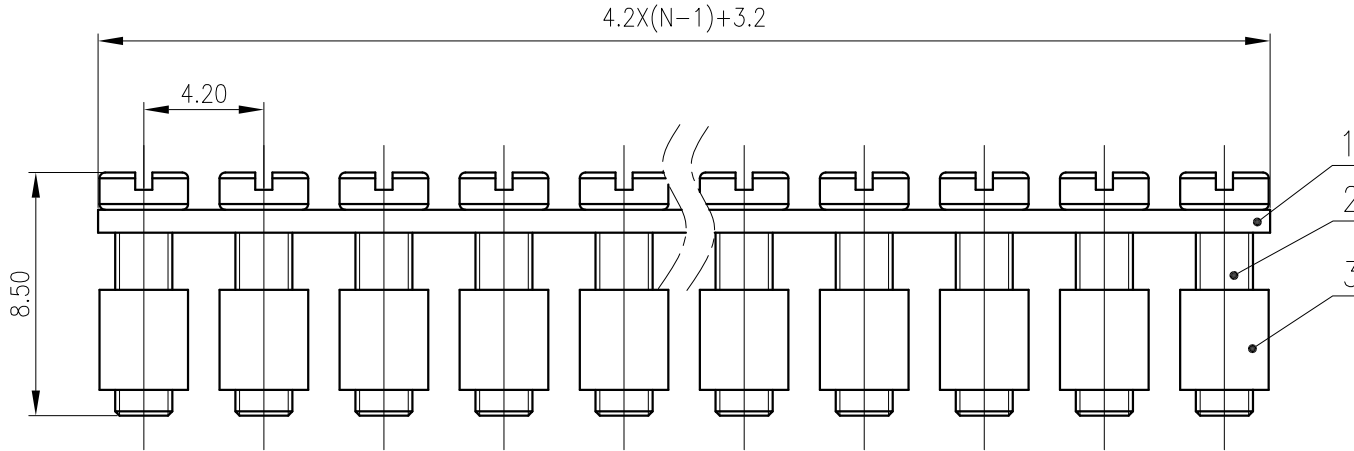
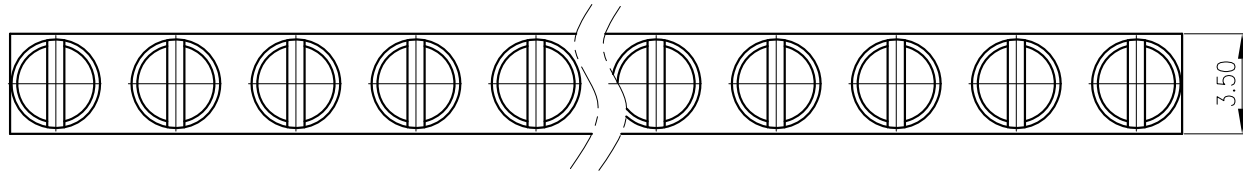


未注公差/General tolerances(mm)														
0	>3	>6	>10	>18	>30	>50	>80	>120	>180	>250	>315	>400	>500	0.1/10 ±2'
~3	~6	~10	~18	~30	~50	~80	~120	~180	~250	~315	~400	~500		
±0.12	±0.18	±0.22	±0.26	±0.31	±0.37	±0.57	±0.80	±0.93	±1.05	±1.15	±1.60	±2.20	±2.50	



ITEM	NAME OF PART	MATERIAL	NOTES
3	Pillar	Copper Alloy	M2/Ni Plated
2	Screw	Copper Alloy	M2/Ni Plated
1	Current carrier	Copper	Sn Plated
螺丝扭矩/Torque Tightening(N·m/Lb.in)		M2, 0.2/1.77	
间距/Pitch(mm)/线数范围/Poles		4.02/N=02~10P	
使用温度范围/Operating temperature(°C)		-40~+105	
符合RoHS环保要求/Conform to RoHS		Yes	

MATERIAL:		SURFACE:	
MAT NO.: /	宁波高松电子有限公司 NINGBO DEGSON ELECTRICAL CO., LTD		
STATUS: /			
APPD: Li GL 2020.06.06	NAME: FBRI XX-4		
CHKD: Mao J 2020.06.06	DRAWING NO.: FBRI 10-4-C01		
DRFT: Feng X 2020.05.22	REV: T1	SCALE: 4:1	
SIZE: A4	TYPE: CUSTOMER DRAWING	SHEET: 1/1	

REV	ECN	DESCRIPTION	DRFT	DATE