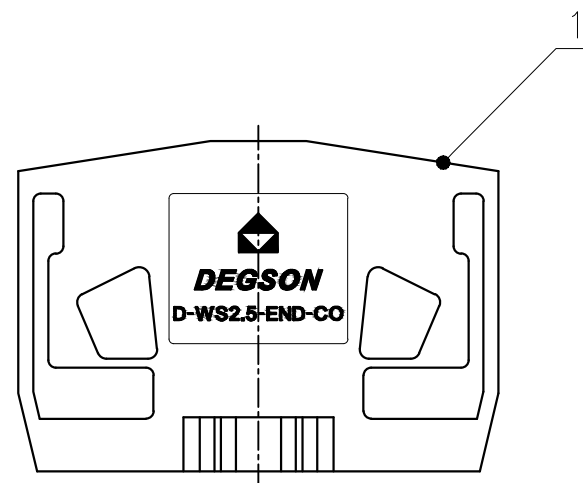
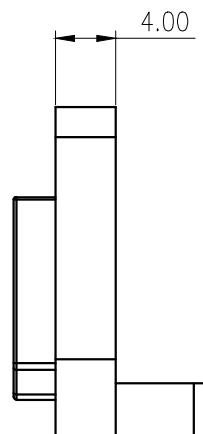
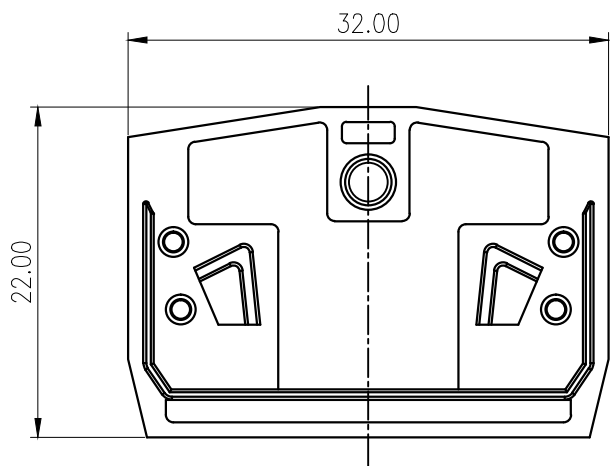
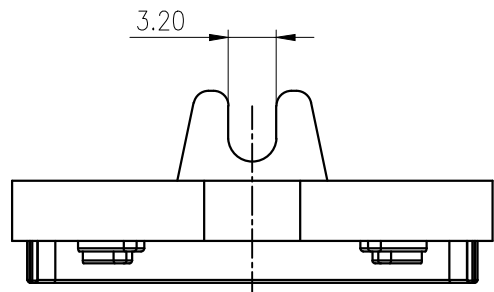


未注公差/General tolerances(mm)													0.1/10	
0 ~ 3	>3 ~ 6	>6 ~ 10	>10 ~ 18	>18 ~ 30	>30 ~ 50	>50 ~ 80	>80 ~ 120	>120 ~ 180	>180 ~ 250	>250 ~ 315	>315 ~ 400	>400 ~ 500		>500
±0.12	±0.18	±0.22	±0.26	±0.31	±0.37	±0.57	±0.80	±0.93	±1.05	±1.15	±1.60	±2.20	±2.50	±2'



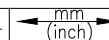
1	Cover	PA66	UL94V-0
ITEM	NAME OF PART	MATERIAL	NOTES
使用温度范围/Operating temperature(°C)			-40~+105
符合RoHS环保要求/Conform to RoHS			Yes
标准颜色编号/Standard color number: PANTONE / RAL			/

MATERIAL: /	SURFACE: /		
MAT NO.: /	宁波高松电子有限公司 NINGBO DEGSON ELECTRICAL CO., LTD		
STATUS: /			
APPD: Li GL 2020.06.06	NAME: D-WS2.5-END-CO-01P-1Y-00A(H)		
CHKD: Mao J 2020.06.06	DRAWING No. D-WS2.5-END-CO-C01		REV TO
DRFT: Wang Y 2020.06.06	TYPE: CUSTOMER DRAWING		SCALE: 2:1 SHEET 1/1

REV	ECN	DESCRIPTION	DRFT	DATE



SIZE: A4



TYPE: CUSTOMER DRAWING SCALE: 2:1 SHEET 1/1