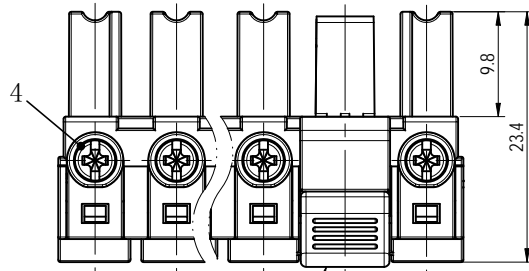
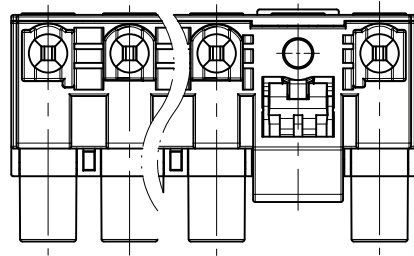
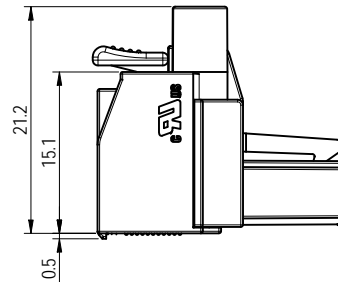
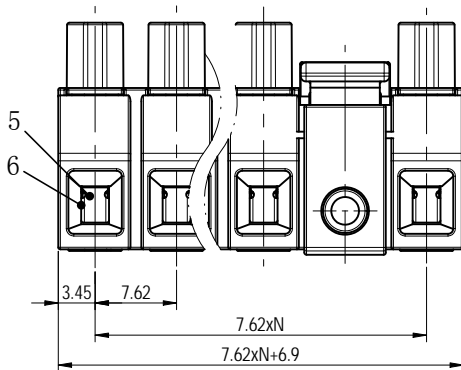
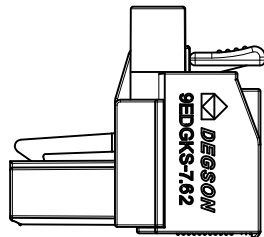
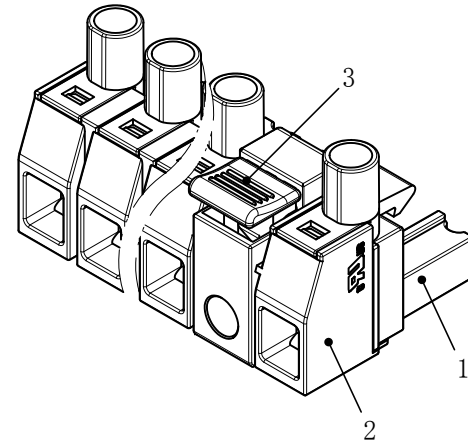


公差/公差 (General tolerances (mm))													D 0.1/10
0	>3	>6	>10	>18	>30	>50	>80	>120	>180	>250	>315	>400	
~	~	~	~	~	~	~	~	~	~	~	~	~	>500
±0.12	±0.18	±0.22	±0.26	±0.31	±0.37	±0.57	±0.80	±0.93	±1.05	±1.15	±1.60	±2.20	±2.50



Lx: Refers to the fixed position in the X position from left to right



ITEM	NAME OF PART	MATERIAL	NOTES
6	Cage	Copper alloy	M3/Ni plated
5	Clamp	Copper alloy	Sn plated
4	Screw	Steel	M3/Zn plated
3	Button	PBT+GF	UL94V-0
2	Cover	PA66	UL94V-0
1	Housing	PA66	UL94V-0

UL 标准/UL Standard:	B	C	D
额定电压/电压/Rated Voltage(V)/Current(A)	600/20	600/20	600/5
IEC 标准/IEC Standard:			
过压类别/Overvoltage Category/污染等级/Pollution Degree	III/3	III/2	II/2
额定电压/电压/Rated Voltage(V)/Current(A)	400/29	500/29	630/29
额定脉冲电压(KV)/Rate Impulse Voltage(KV)	6	6	4
螺丝扭矩/Torque Tightening(N·m/Lb.in)		M3	0.5/4.5
线径范围(硬线和软线)/Wire Range(rigid and flexible)(AWG/mm²)			28~12 / 0.2~4.0
间距/Pitch(mm)/线数范围/Poles			7.62/N=2~6P
剥线长度/Stripping length(mm)			6~7
使用温度范围/Operating temperature(°C)			-40~+105
符合RoHS环保要求/Conform to RoHS			Yes

DEGSON MATERIAL: SURFACE/COLOR: MAT NO./REV: - / 00 MAT STATUS: 小批量

APPD: 竺春华 2023.05.15 NAME: 9EDGKS-7.62-Lx-XXP-1Y-02Z(H)

CHKD: 陈超 2023.05.15

DRAFT: 巴宇辉 2023.05.15

DRAWING NO.	TYPE	DRAWING STATUS	SCALE	SHEET
200110296	CUSTOMER DRAWING	work	2:1	1/1

REV	ECN	DESCRIPTION	DRAFT	DATE
00				

Transfer or duplication of this document as well as the utilization of its contents without the written permission of DEGSON is prohibited. All rights reserved for patent. 未经授权复制或传播本文件及其内容，以及未经许可使用其内容，均属于侵权行为。DEGSON 保留所有权利。如有专利，恕不另行通知。